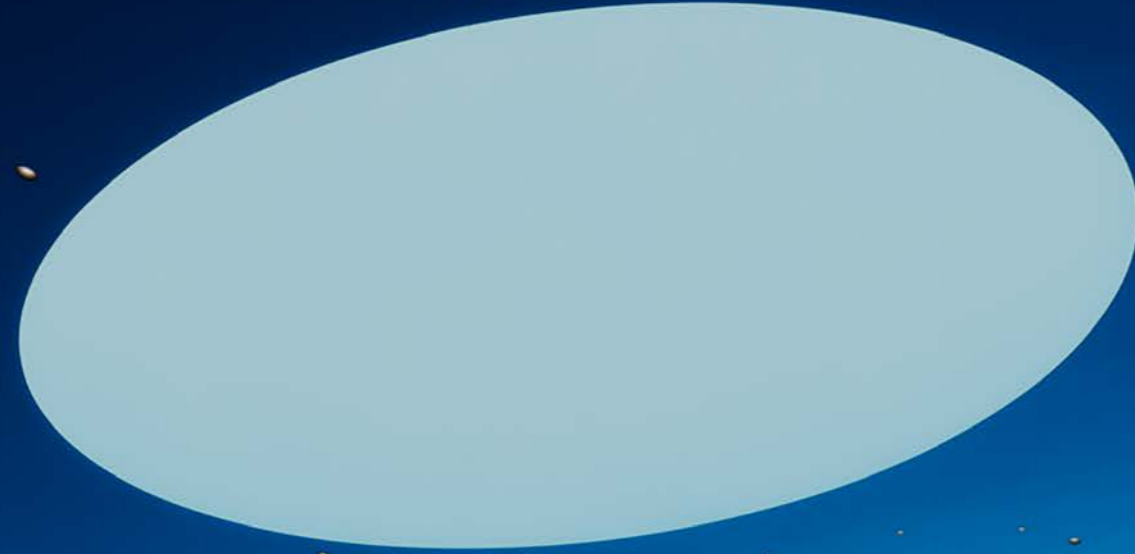


Iluminación de precisión

Diseñada para definir, guiar y enfatizar elementos arquitectónicos, la iluminación de precisión permite dirigir la luz con exactitud e intención. La direccionalidad controlada posibilita modelar, jerarquizar e interpretar el espacio a través de la luz.

Basado en ópticas precisas y componentes técnicos, el sistema ofrece un alto confort visual, un control eficaz del deslumbramiento y flexibilidad, respondiendo a las exigencias de los proyectos arquitectónicos y de interior profesionales.



Precision lighting

Designed to define, guide and emphasise architectural elements, spotlight lighting allows light to be directed with accuracy and intention. Controlled directionality enables spaces to be shaped, layered and interpreted through light.

Based on precise optics and technical components, the system offers high visual comfort, effective glare control and flexibility, meeting the requirements of professional architectural and interior projects.

SPOTLIGHTS

MARTORELL

PAG. 264

PATRICIA

PAG. 284

KLIMT

PAG. 290

CUBE

PAG. 296

LUK

PAG. 304

ORACLE

PAG. 310

LENT

PAG. 314

ASTRA

PAG. 320

VIO

PAG. 324

SASSY

PAG. 328

ROY

PAG. 336

CAN REVIEW

PAG. 340

ALDAIA

PAG. 346

VADI

PAG. 350

KONI

PAG. 354

CATLI

PAG. 360

S
T
H
I
S
I
S
S
U
E
C
O
N
T
A
I
N
S
A
R
E
V
I
E
W
O
F
T
H
E
L
A
T
E
S
T
P
O
W
E
R
T
O
O
L
S
F
R
O
M
B
O
S
C
H
E
R
P
O
W
E
R
T
O
O
L
S



MARTORELL FAMILY

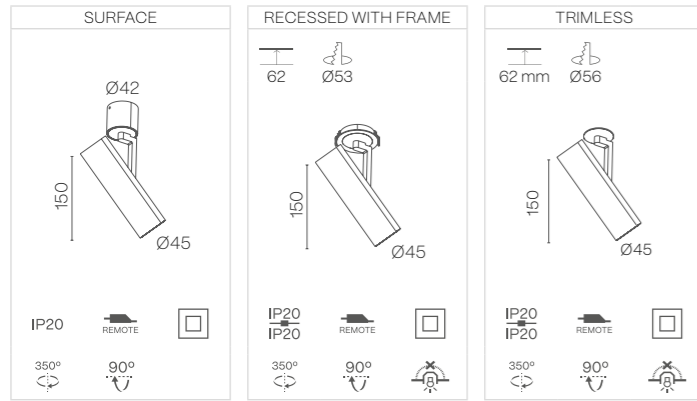


- ALUMINIUM PC
- CRI ≥90
- IK06
- LIFE 50000H
- DIM OPTIONAL
- REMOTE
- INDOOR
- 220-240 V 50-60 Hz
- CE

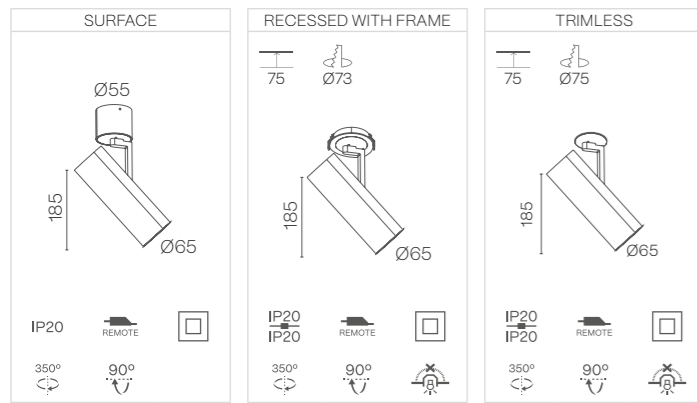
MARTORELL FLIP

NEW

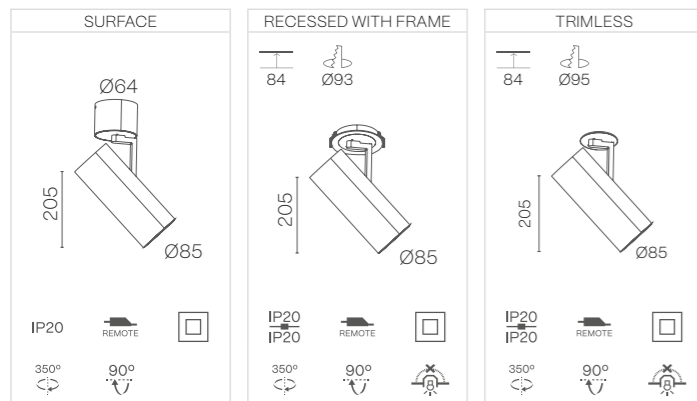
Ø45



Ø65



Ø95



- Cut hole
- Minimum height of the false ceiling
- Luminaire not suitable to be covered with thermal insulating material

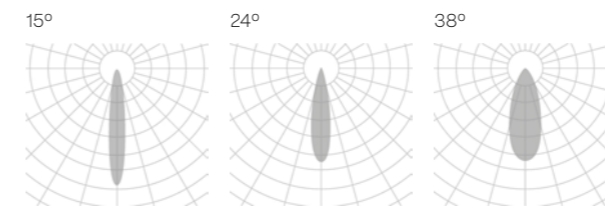
- ON DEMAND OPTIONS**
- Wireless control options

MARTORELL FLIP

POWER STANDARD

		Ø45	
24°	700 mA	7 W 886 - 898 - 939 lm	
	2700 K	337EB 142	
	3000 K	337EB 143	
38°	4000 K	337EB 145	
	2700 K	337EB 152	
	3000 K	337EB 153	
	4000 K	337EB 155	

		Ø65		Ø95	
15°	700 mA	6 W 1784 - 1820 - 1866 lm		9 W 2720 - 2767 - 2888 lm	
	2700 K	337EE 122		337EH 122	
	3000 K	337EE 123		337EH 123	
24°	4000 K	337EE 125		337EH 125	
	2700 K	337EE 142		337EH 142	
	3000 K	337EE 143		337EH 143	
38°	4000 K	337EE 145		337EH 145	
	2700 K	337EE 152		337EH 152	
	3000 K	337EE 153		337EH 153	
	4000 K	337EE 155		337EH 155	

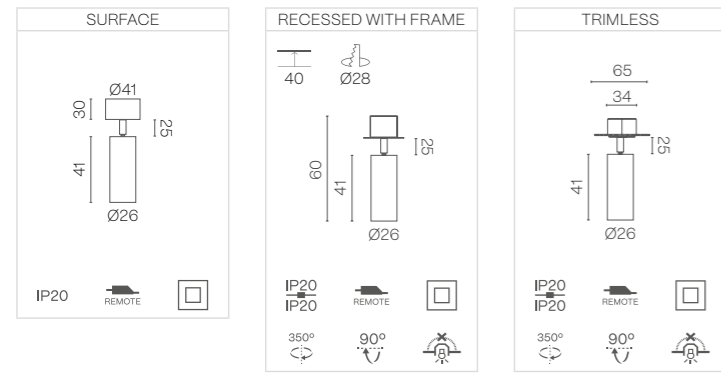


The data shown corresponds to raw values.

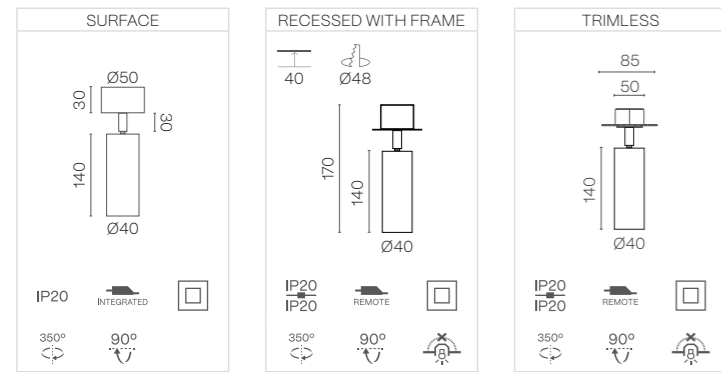
- | | | | |
|-------------------------|---------------------------|---------------------|------------|
| INSTALLATION | FINISH | DIMM OPTIONS | Down light |
| 1 · Pendant | B · Black | O · On-Off | |
| 3 · Surface | W · White | D · Dali | |
| 5 · Recessed with frame | G · Black - white | P · Push | |
| | H · White - black | V · 1.10v | |
| | I · White - special color | | |
| | J · Black - special color | | |

MARTORELL MOVE

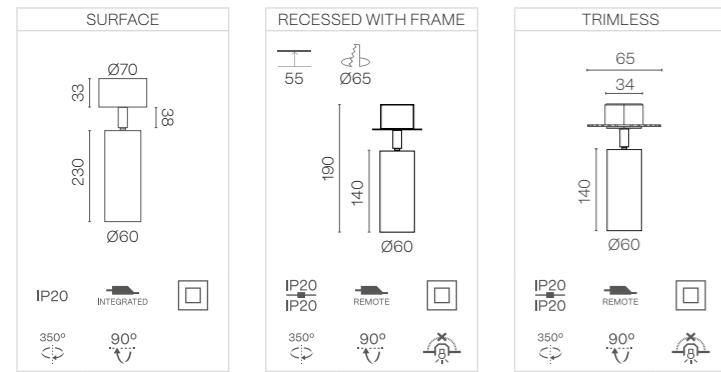
Ø26



Ø40



Ø60



- Cut hole
- Minimum height of the false ceiling
- Luminaire not suitable to be covered with thermal insulating material

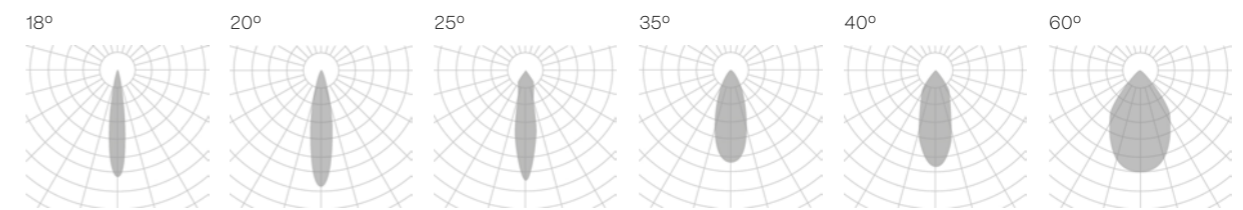
- ON DEMAND OPTIONS**
- Wireless control options

MARTORELL MOVE

POWER STANDARD

		Ø26	
	700 mA	2 W	195 - 209 - 237 lm
20°	2700 K	339EB	132
	3000 K	339EB	133
	4000 K	339EB	135
40°	2700 K	339EB	152
	3000 K	339EB	153
	4000 K	339EB	155
60°	2700 K	339EB	172
	3000 K	339EB	173
	4000 K	339EB	175

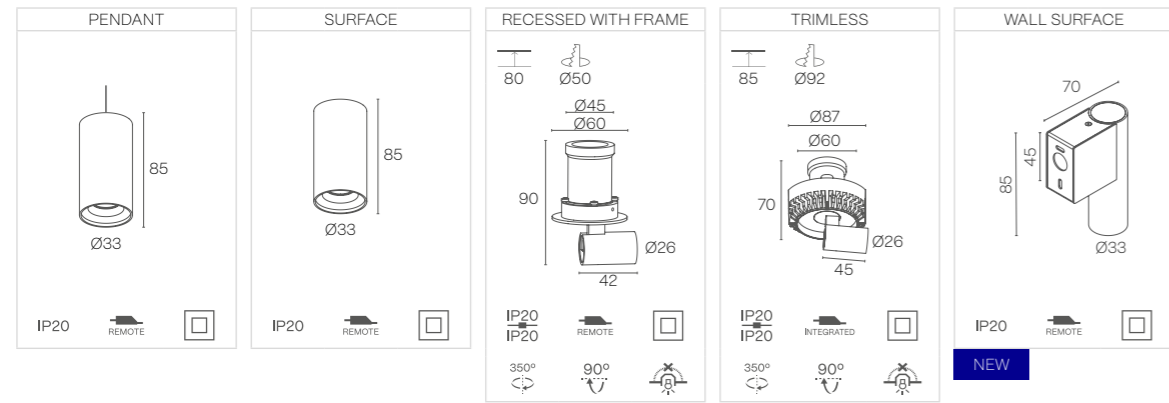
		Ø40		Ø60	
		700 mA 6 W	886 - 898 - 939 lm	350 mA 12 W	1745 - 1774 - 1857 lm
18°	2700 K	339EE	132	339EH	132
	3000 K	339EE	133	339EH	133
	4000 K	339EE	135	339EH	135
25°	2700 K	339EE	142	339EH	142
	3000 K	339EE	143	339EH	143
	4000 K	339EE	145	339EH	145
35°	2700 K	339EE	152	339EH	152
	3000 K	339EE	153	339EH	153
	4000 K	339EE	155	339EH	155



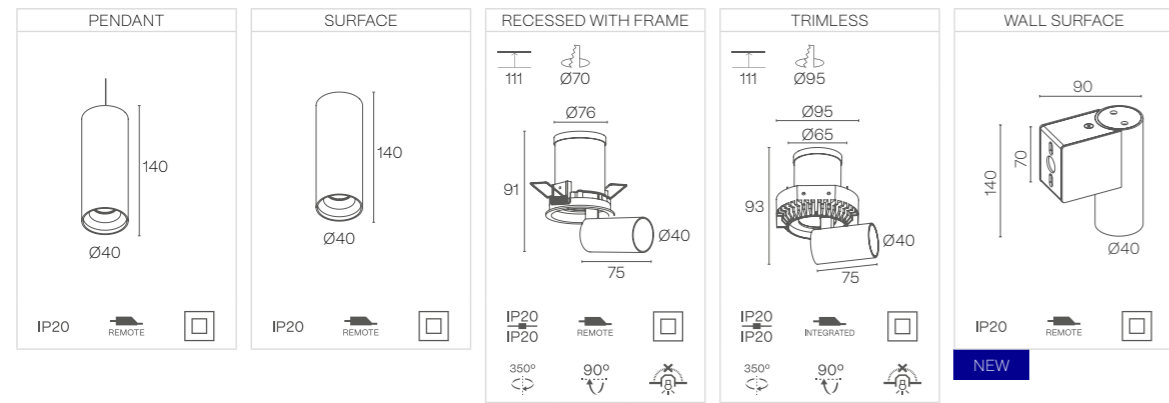
The data shown corresponds to raw values.

- INSTALLATION**
 - 1 · Pendant
 - 2 · Pendant up light
 - 3 · Surface
 - 4 · Recessed with frame
 - 5 · Trimless
- FINISH**
 - B · Black
 - W · White
 - G · Black - white
 - H · White - black
 - I · White - special color
 - J · Black - special color
- DIMM OPTIONS**
 - O · On-Off
 - D · Dali
 - P · Push
- Down light

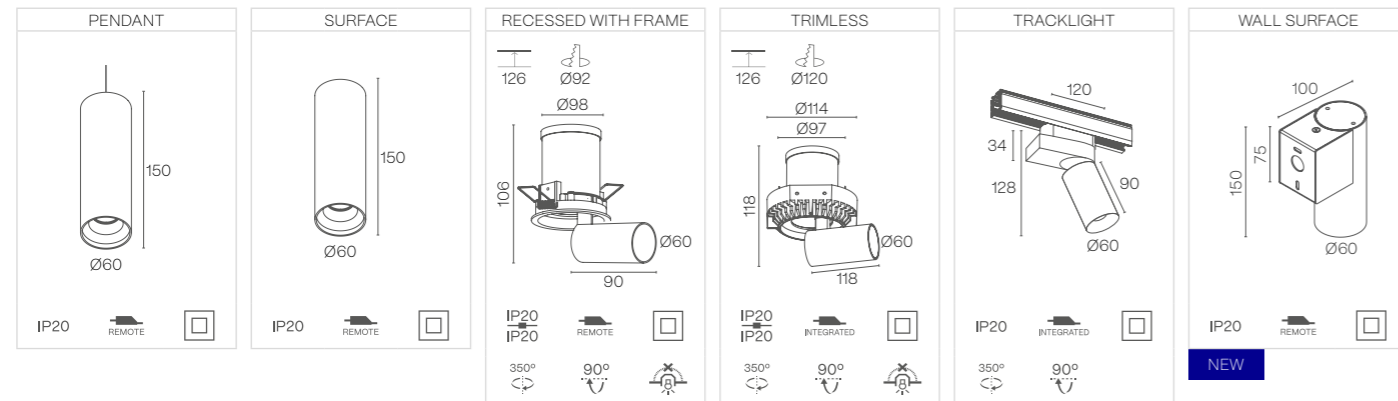
Ø33/Ø26



Ø40



Ø60



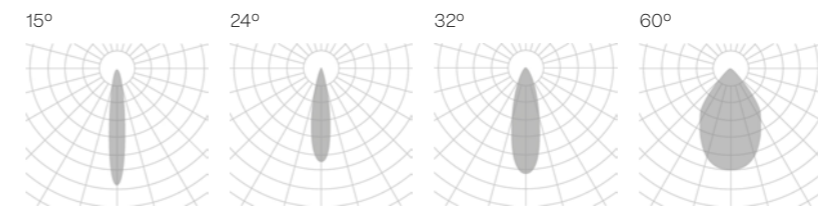
- Cut hole
- Minimum height of the false ceiling
- Luminaire not suitable to be covered with thermal insulating material

- ON DEMAND OPTIONS**
- Wireless control options

POWER STANDARD

		Ø33/Ø26	Ø40	Ø60
		700 mA 2 W 195 - 209 - 237 lm	700 mA 6 W 886 - 898 - 939 lm	350 mA 12 W 1745 - 1774 - 1857 lm
15°	2700 K	-	335EE 122	335EH 122
	3000 K	-	335EE 123	335EH 123
	4000 K	-	335EE 125	335EH 125
24°	2700 K	335EB 142	335EE 142	335EH 142
	3000 K	335EB 143	335EE 143	335EH 143
	4000 K	335EB 145	335EE 145	335EH 145
32°	2700 K	335EB 152	335EE 152	335EH 152
	3000 K	335EB 153	335EE 153	335EH 153
	4000 K	335EB 155	335EE 155	335EH 155
60°	2700 K	-	-	335EH 172
	3000 K	-	-	335EH 173
	4000 K	-	-	335EH 175

		TRACKLIGHT Ø60
		350 mA 12 W 1745 - 1774 - 1857 lm
24°	2700 K	335EH9 142
	3000 K	335EH9 143
	4000 K	335EH9 145
32°	2700 K	335EH9 152
	3000 K	335EH9 153
	4000 K	335EH9 155

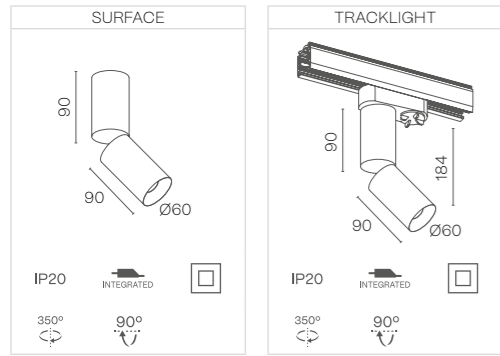


The data shown corresponds to raw values.

- INSTALLATION**
 - 1 · Pendant
 - 2 · Pendant up light
 - 3 · Surface
 - 4 · Recessed with frame
 - 5 · Trimless
- FINISH**
 - B · Black
 - W · White
 - G · Black - white
 - H · White - black
 - I · White - special color
 - J · Black - special color
- DIMM OPTIONS**
 - O · On-Off
 - D · Dali
 - P · Push
- Down light

MARTORELL TUBE MOVE

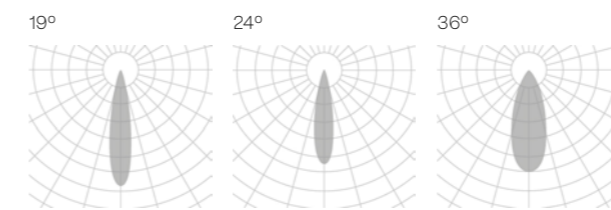
Ø60



MARTORELL TUBE MOVE

POWER STANDARD

		Ø60	
19°	500 mA	15 W 796 - 841 - 929 lm	
	2700 K	345EH 96 132	
	3000 K	345EH 96 133	
24°	4000 K	345EH 96 135	
	2700 K	345EH 96 142	
	3000 K	345EH 96 143	
36°	4000 K	345EH 96 145	
	2700 K	345EH 96 152	
	3000 K	345EH 96 153	
	4000 K	345EH 96 155	



The data shown corresponds to raw values.

ON DEMAND OPTIONS

Wireless control options

INSTALLATION

- 3 - Surface
- 9 - Tracklight

FINISH

- B - Black
- W - White
- G - Black - white
- H - White - black
- I - White - special color
- J - Black - special color

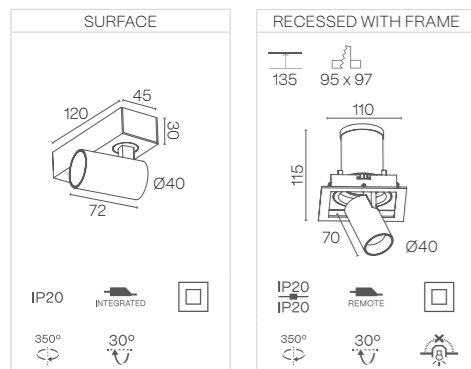
DIMM OPTIONS

- O - On-Off
- D - Dali
- P - Push

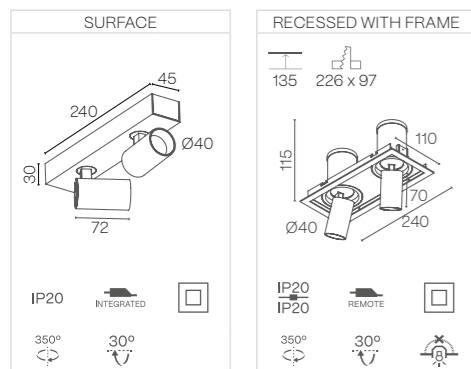
Down light

MARTORELL CRATE

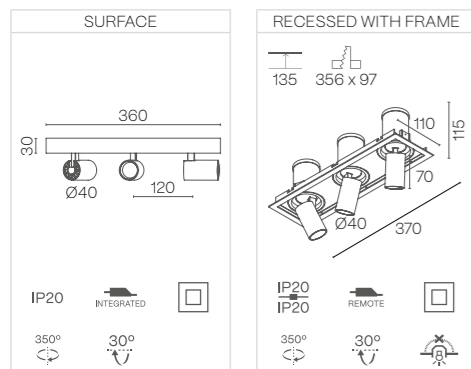
CRATE



CRATE DOUBLE



CRATE TRIPLE



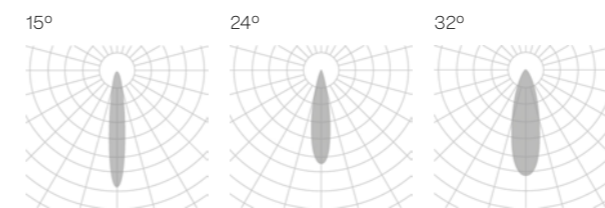
- Cut hole
- Minimum height of the false ceiling
- Luminaire not suitable to be covered with thermal insulating material

- ON DEMAND OPTIONS**
- Wireless control options

MARTORELL CRATE

POWER STANDARD

		CRATE	CRATE DOUBLE	CRATE TRIPLE
	700 mA	12 W 470 - 498 - 515 lm	16 W 940 - 996 - 1030 lm	24 W 1410 - 1494 - 1545 lm
15°	2700 K	336EB 122	336EE 122	336EH 122
	3000 K	336EB 123	336EE 123	336EH 123
	4000 K	336EB 125	336EE 125	336EH 125
24°	2700 K	336EB 142	336EE 142	336EH 142
	3000 K	336EB 143	336EE 143	336EH 143
	4000 K	336EB 145	336EE 145	336EH 145
32°	2700 K	336EB 152	336EE 152	336EH 152
	3000 K	336EB 153	336EE 153	336EH 153
	4000 K	336EB 155	336EE 155	336EH 155

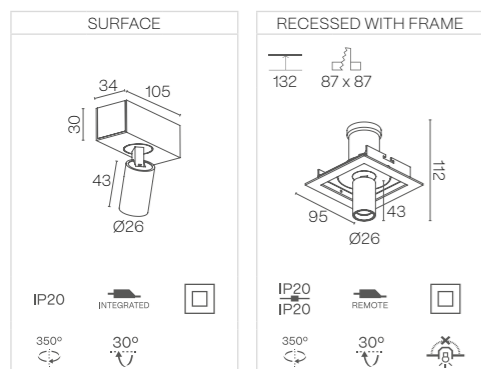


The data shown corresponds to raw values.

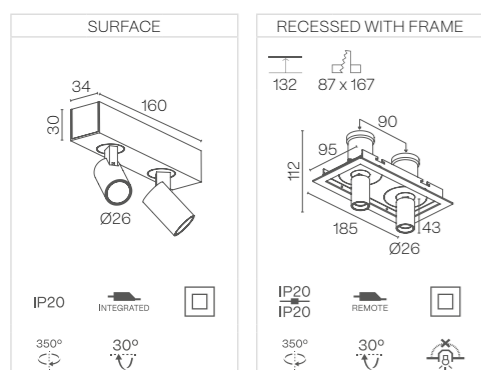
- INSTALLATION**
 - FINISH**
 - DIMM OPTIONS**
 - Down light
- 1 · Pendant
 - B · Black
 - O · On-Off
 - 2 · Pendant up light
 - W · White
 - D · Dali
 - 3 · Surface
 - G · Black - white
 - P · Push
 - 4 · Recessed with frame
 - H · White - black
 - 5 · Trimless
 - I · White - special color
 - J · Black - special color

MARTORELL MINI CRATE

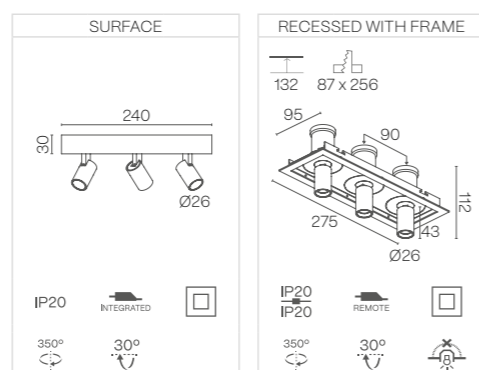
MINI CRATE



MINI CRATE DOUBLE



MINI CRATE TRIPLE



- Cut hole
- Minimum height of the false ceiling
- Luminaire not suitable to be covered with thermal insulating material

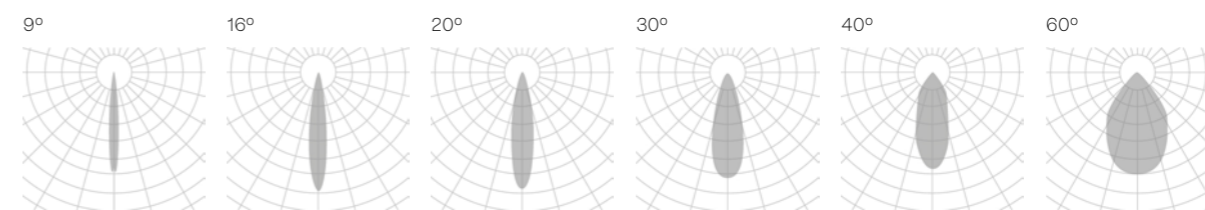
- ON DEMAND OPTIONS**
- Wireless control options

MARTORELL MINI CRATE

POWER STANDARD

		MINI CRATE
	700 mA	3 W 175 - 188 - 199 lm
20°	2700 K	338EB 132
	3000 K	338EB 133
	4000 K	338EB 135
40°	2700 K	338EB 152
	3000 K	338EB 153
	4000 K	338EB 155
60°	2700 K	338EB 172
	3000 K	338EB 173
	4000 K	338EB 175

		MINI CRATE DOUBLE	MINI CRATE TRIPLE
	700 mA	6 W 350 - 376 - 398 lm	9 W 525 - 564 - 597 lm
20°	2700 K	338EE 132	338EH 132
	3000 K	338EE 133	338EH 133
	4000 K	338EE 135	338EH 135
40°	2700 K	338EE 152	338EH 152
	3000 K	338EE 153	338EH 153
	4000 K	338EE 155	338EH 155
60°	2700 K	338EE 172	338EH 172
	3000 K	338EE 173	338EH 173
	4000 K	338EE 175	338EH 175

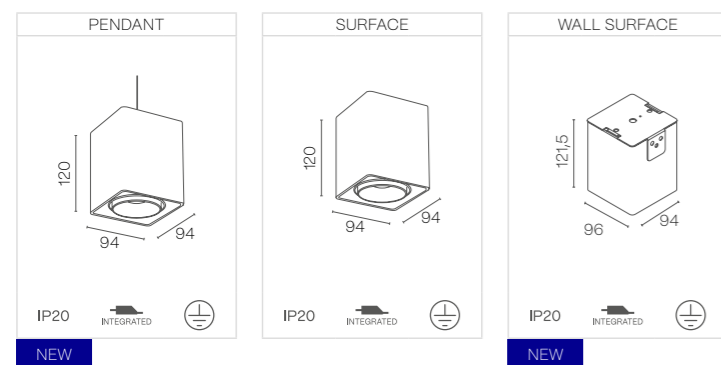


The data shown corresponds to raw values.

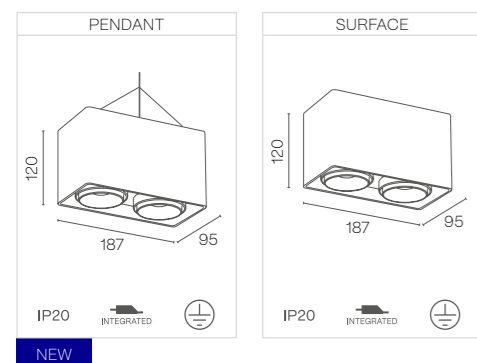
- INSTALLATION**
 - 1 · Pendant
 - 2 · Pendant up light
 - 3 · Surface
 - 4 · Recessed with frame
 - 5 · Trimless
- FINISH**
 - B · Black
 - W · White
 - S · Special color
- DIMM OPTIONS**
 - O · On-Off
 - D · Dali
 - P · Push
- Down light

MARTORELL SQ

SQ



SQ DOUBLE



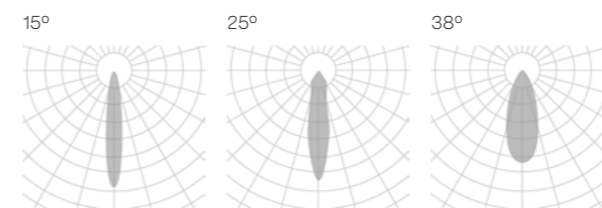
- Cut hole
- Minimum height of the false ceiling
- Luminaire not suitable to be covered with thermal insulating material

- ON DEMAND OPTIONS**
- Wireless control options

MARTORELL SQ

POWER STANDARD

		SQ	SQ DOUBLE
		350 mA 11 W 720 - 759 - 908 lm	700 mA 22 W 1440 - 1518 - 1816 lm
15°	2700 K	340EB 122	341EB 122
	3000 K	340EB 123	341EB 123
	4000 K	340EB 125	341EB 125
25°	2700 K	340EB 142	341EB 142
	3000 K	340EB 143	341EB 143
	4000 K	340EB 145	341EB 145
38°	2700 K	340EB 152	341EB 152
	3000 K	340EB 153	341EB 143
	4000 K	340EB 155	341EB 145

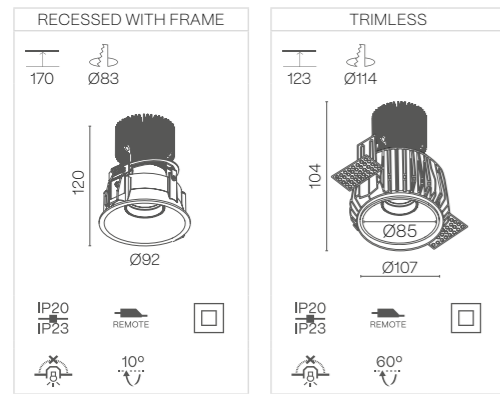


The data shown corresponds to raw values.

- INSTALLATION**
 - 1 · Pendant
 - 3 · Surface
 - 7 · Wall surface
- FINISH**
 - B · Black
 - W · White
 - G · Black - white
 - H · White - black
 - I · White - special color
 - J · Black - special color
- DIMM OPTIONS**
 - O · On-Off
 - D · Dali
 - P · Push
- Down light

MARTORELL TÁRREGA

Ø92/Ø85

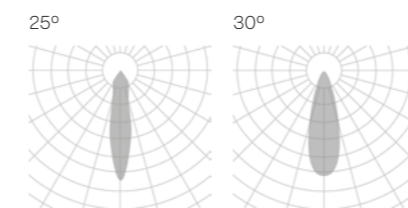


- Cut hole
- Minimum height of the false ceiling
- Luminaire not suitable to be covered with thermal insulating material
- ON DEMAND OPTIONS**
- Wireless control options

MARTORELL TÁRREGA

POWER STANDARD

		Ø92/Ø85	
25°	500 mA	10 W 659 - 691 - 719 lm	
	2700 K	342EB 142	
	3000 K	342EB 143	
30°	4000 K	342EB 145	
	2700 K	342EB 152	
	3000 K	342EB 153	
	4000 K	342EB 155	

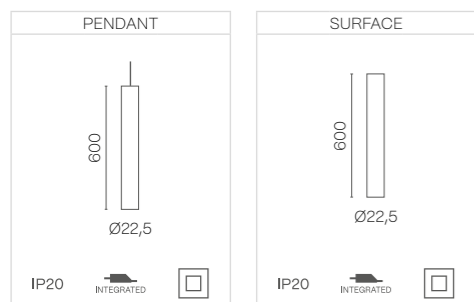


The data shown corresponds to raw values.

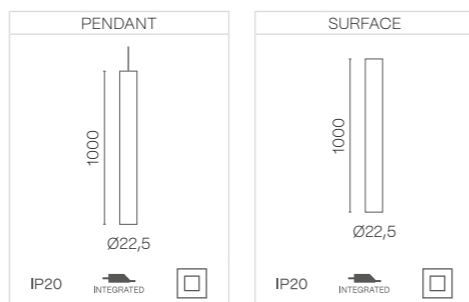
- INSTALLATION**
- 1 · Pendant
- 2 · Pendant up light
- 3 · Surface
- 4 · Recessed with frame
- 5 · Trimless
- FINISH**
- B · Black
- W · White
- G · Black - white
- H · White - black
- I · White - special color
- J · Black - special color
- DIMM OPTIONS**
- O · On-Off
- D · Dali
- P · Push
- Down light

MARTORELL TUBULAR

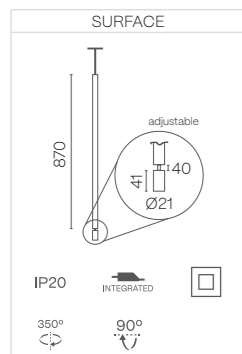
Ø20 - H600



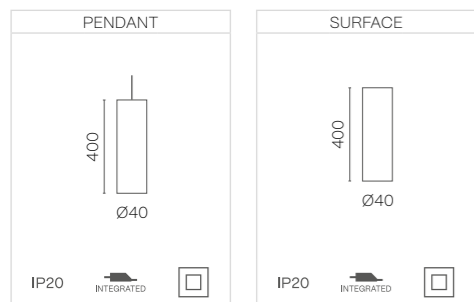
Ø20 - H1000



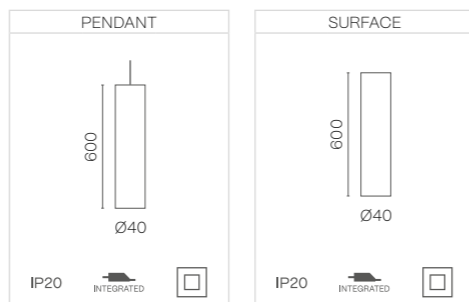
Ø20 - H870 TILT



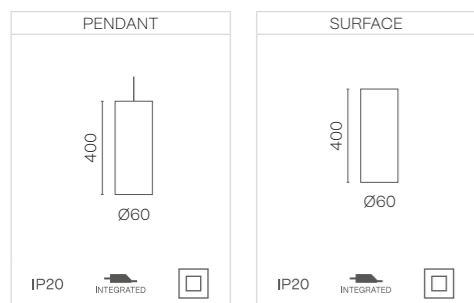
Ø40 - H400



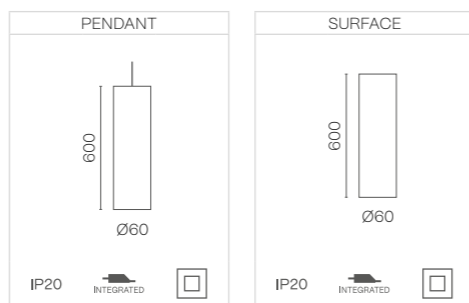
Ø40 - H600



Ø60 - H400



Ø60 - H600



ON DEMAND OPTIONS



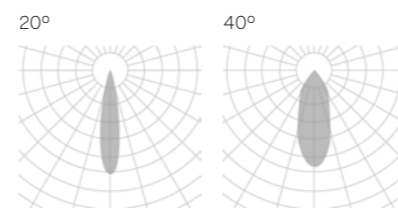
MARTORELL TUBULAR

POWER STANDARD

		Ø20 - H600	Ø20 - H1000			Ø20 - H870 TILT
20°	300 mA	3 W 174 - 187 - 212 lm	3 W 174 - 187 - 212 lm	700 mA	3 W 164 - 155 - 188 lm	
	2700 K	346EB 132	346EE 132		2700 K	349EB3 132
	3000 K	346EB 133	346EE 133		3000 K	349EB3 133
40°	4000 K	346EB 135	346EE 135	4000 K	349EB3 135	
	2700 K	346EB 152	346EE 152	40°	2700 K	349EB3 152
	3000 K	346EB 153	346EE 153		3000 K	349EB3 153
4000 K	346EB 155	346EE 155	4000 K		349EB3 155	

		Ø40 - H400	Ø40 - H600
20°	350 mA	14 W 954 - 991 - 1067 lm	14 W 954 - 991 - 1067 lm
	2700 K	347EB 132	347EE 132
	3000 K	347EB 133	347EE 133
40°	4000 K	347EB 135	347EE 135
	2700 K	347EB 152	347EE 152
	3000 K	347EB 153	347EE 153
	4000 K	347EB 155	347EE 155

		Ø60 - H400	Ø60 - H600
20°	350 mA	21 W 1662 - 1716 - 1729 lm	21 W 1662 - 1716 - 1729 lm
	2700 K	348EB 132	348EE 132
	3000 K	348EB 133	348EE 133
40°	4000 K	348EB 135	348EE 135
	2700 K	348EB 152	348EB 152
	3000 K	348EB 153	348EB 153
	4000 K	348EB 155	348EB 155



The data shown corresponds to raw values.

INSTALLATION

- 1 · Pendant
- 3 · Surface

FINISH

- B · Black
- W · White
- G · Black - white
- H · White - black
- I · White - special color
- J · Black - special color

DIMM OPTIONS

- O · On-Off
- D · Dali
- P · Push

Down light

PATRICIA FAMILY



- ALUMINIUM PC
- CRI ≥90
- IK08
- LIFE 50000H
-
- DIM OPTIONAL
- INDOOR
- 220-240 V 50-60 Hz
- CE

PATRICIA

Ø45

SURFACE	RECESSED WITH FRAME	TRACKLIGHT
130 Ø45	45 Ø60 Ø65 Ø22 130 Ø45	160 10 40 130 Ø45
IP20 INTEGRATED	IP20 IP20 REMOTE	IP20 INTEGRATED
350° 90°	350° 90°	350° 90°
NEW	NEW	

Ø55

SURFACE	RECESSED WITH FRAME	TRACKLIGHT
150 Ø55	45 Ø70 Ø75 Ø22 150 Ø55	160 10 40 150 Ø55
IP20 INTEGRATED	IP20 IP20 REMOTE	IP20 INTEGRATED
350° 90°	350° 90°	350° 90°
NEW	NEW	

Dimmable drivers are supplied remote.

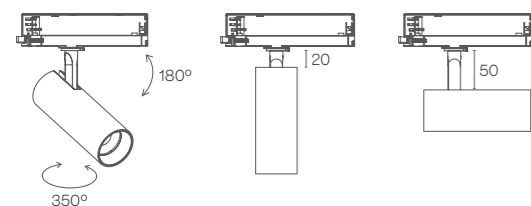
Ø69

SURFACE	RECESSED WITH FRAME	TRACKLIGHT
170 Ø69	45 Ø84 Ø89 Ø22 170 Ø69	160 10 40 170 Ø69
IP20 INTEGRATED	IP20 IP20 REMOTE	IP20 INTEGRATED
350° 90°	350° 90°	350° 90°
NEW	NEW	

Ø82

SURFACE	RECESSED WITH FRAME	TRACKLIGHT
190 Ø82	45 Ø97 Ø102 Ø22 190 Ø82	160 10 40 190 Ø82
IP20 INTEGRATED	IP20 IP20 REMOTE	IP20 INTEGRATED
350° 90°	350° 90°	350° 90°
NEW	NEW	

Rotation mechanism detail



- Cut hole
- Minimum height of the false ceiling
- Luminaire not suitable to be covered with thermal insulating material

- ON DEMAND OPTIONS**
- Wireless control options

- DIMM OPTIONS ONLY TRACKLIGHT**
- O** · On-Off
- D** · Dali
- F** · Phase cut

PATRICIA

ACCESORIES

BARN DOOR	DIMENSIONS	REFERENCE
	Ø45	ACC30514.01.BD
	Ø55	ACC30514.02.BD
	Ø69	ACC30514.03.BD
	Ø82	ACC30514.04.BD

CROSS RING	DIMENSIONS	REFERENCE
	Ø45	ACC30514.01.CR
	Ø55	ACC30514.02.CR
	Ø69	ACC30514.03.CR
	Ø82	ACC30514.04.CR

HONEY COMB	DIMENSIONS	REFERENCE
	Ø45	ACC30514.01.HC
	Ø55	ACC30514.02.HC
	Ø69	ACC30514.03.HC
	Ø82	ACC30514.04.HC

SNOOT	DIMENSIONS	REFERENCE
	Ø45	A355M.01.XRRX
	Ø55	A355M.02.XRRX
	Ø69	A355M.03.XRRX
	Ø82	A355M.04.XRRX

SNOOT ASYMETRIC	DIMENSIONS	REFERENCE
	Ø45	A355M.01.XORX
	Ø55	A355M.02.XORX
	Ø69	A355M.03.XORX
	Ø82	A355M.04.XORX

- FINISH**
- B** · Black
- W** · White

OVAL FLOOD LENSE

OVAL FLOOD LENSE		DIMENSIONS		REFERENCE			
		Ø45	ACC30514.01.OV.03X60		Ø45	ACC30514.01.OV.60X10	
		Ø55	ACC30514.02.OV.03X60			Ø55	ACC30514.02.OV.60X10
		Ø69	ACC30514.03.OV.03X60			Ø69	ACC30514.03.OV.60X10
		Ø82	ACC30514.04.OV.03X60			Ø82	ACC30514.04.OV.60X10
		DIMENSIONS		REFERENCE			
		Ø45	ACC30514.01.OV.10X40		Ø45	ACC30514.01.OV.15X60	
		Ø55	ACC30514.02.OV.10X40			Ø55	ACC30514.02.OV.15X60
		Ø69	ACC30514.03.OV.10X40			Ø69	ACC30514.03.OV.15X60
		Ø82	ACC30514.04.OV.10X40			Ø82	ACC30514.04.OV.15X60

ZOOM SPOT LENSE

ZOOM SPOT LENSE		DIMENSIONS		REFERENCE			
		Ø45	ACC30514.01.ZSX1.3		Ø45	ACC30514.01.ZSX1.5	
		Ø55	ACC30514.02.ZSX1.3			Ø55	ACC30514.02.ZSX1.5
		Ø69	ACC30514.03.ZSX1.3			Ø69	ACC30514.03.ZSX1.5
		Ø82	ACC30514.04.ZSX1.3			Ø82	ACC30514.04.ZSX1.5
		DIMENSIONS		REFERENCE			
		Ø45	ACC30514.01.ZSX2		Ø45	ACC30514.01.ZSX3	
		Ø55	ACC30514.02.ZSX2			Ø55	ACC30514.02.ZSX3
		Ø69	ACC30514.03.ZSX2			Ø69	ACC30514.03.ZSX3
		Ø82	ACC30514.04.ZSX2			Ø82	ACC30514.04.ZSX3

POWER STANDARD

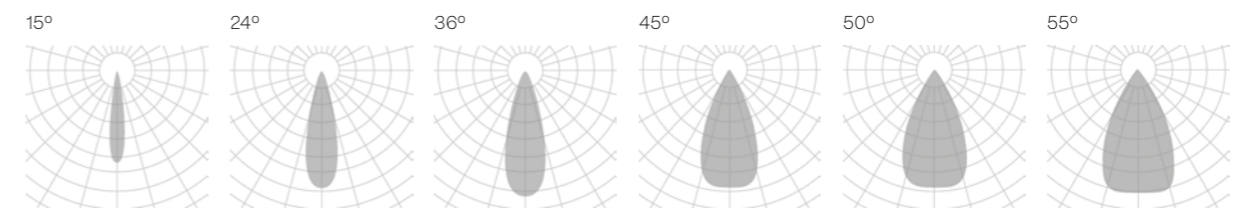
		Ø45		Ø55		Ø69		Ø82	
	24°	2700 K	250 mA 8 W	355EB 142	355EE 142	600 mA 19 W	355EH 122	355EJ 122	1050 mA 35 W
		3000 K	1223 - 1239 - 1295 lm	355EB 143	355EE 143	3235 - 3291 - 3434 lm	355EH 123	355EJ 123	5905 - 6022 - 6477 lm
		4000 K		355EB 145	355EE 145		355EH 125	355EJ 125	
	36°	2700 K		355EB 152	355EE 152		355EH 142	355EJ 142	
		3000 K		355EB 153	355EE 153		355EH 143	355EJ 143	
		4000 K		355EB 155	355EE 155		355EH 145	355EJ 145	
	50°	2700 K		355EB 162	355EE 162		355EH 152	355EJ 152	
		3000 K		355EB 163	355EE 163		355EH 153	355EJ 153	
		4000 K		355EB 165	355EE 165		355EH 155	355EJ 155	
	15°	2700 K		355EB 162	355EE 162		355EH 162	355EJ 162	
		3000 K		355EB 163	355EE 163		355EH 163	355EJ 163	
		4000 K		355EB 165	355EE 165		355EH 165	355EJ 165	

POWER HIGH

		Ø69	
	24°	800 mA	27 W
		2700 K	4507 - 4586 - 4785 lm
		3000 K	
	36°	2700 K	355EH 342
		3000 K	355EH 343
		4000 K	355EH 345
	45°	2700 K	355EH 352
		3000 K	355EH 353
		4000 K	355EH 355
	55°	2700 K	355EH 362
		3000 K	355EH 363
		4000 K	355EH 365

CLEAR WHITE

		Ø69	Ø69	Ø82	
		POWER STANDARD	POWER HIGH	POWER STANDARD	
	15°	600 mA 21 W	750 mA 27 W	1050 mA 37 W	
		2738 - 2835 lm	3346 - 3465 lm	4874 - 5076 lm	
		3000 K	355EH 12Q	355EH 32Q	355EJ 12Q
	24°	4000 K	355EH 12R	355EH 32R	355EJ 12R
		3000 K	355EH 13Q	355EH 33Q	355EJ 13Q
	36°	4000 K	355EH 13R	355EH 33R	355EJ 13R
		3000 K	355EH 15Q	355EH 35Q	355EJ 15Q
	50°	4000 K	355EH 15R	355EH 35R	355EJ 15R
		3000 K	355EH 16Q	355EH 36Q	355EJ 16Q
	55°	4000 K	355EH 16R	355EH 36R	355EJ 16R



The data shown corresponds to raw values.

- INSTALLATION**
3 · Surface
5 · Recessed with frame
9 · Tracklight
 - FINISH**
B · Black
W · White
S · Special color
 - DIMM OPTIONS**
O · On-Off
D · Dali
P · Push
V · 1.10v
F · Phase cut
- Down light



KLIMT FAMILY



ALUMINIUM
PC

CRI
≥90

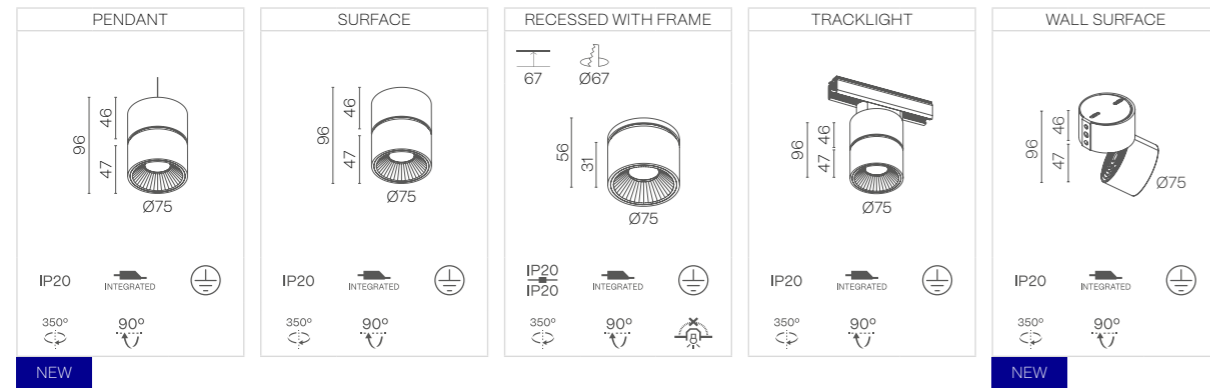


220-240 V
50-60 Hz



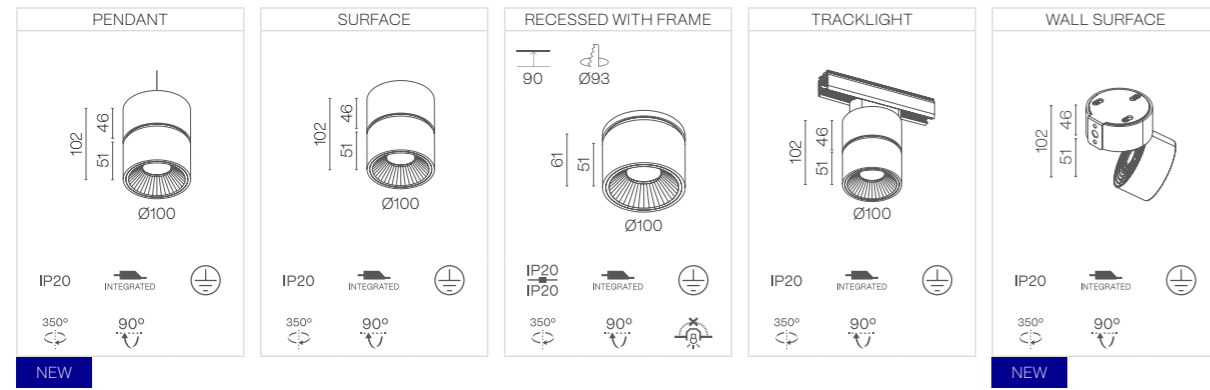
KLIMT

Ø75



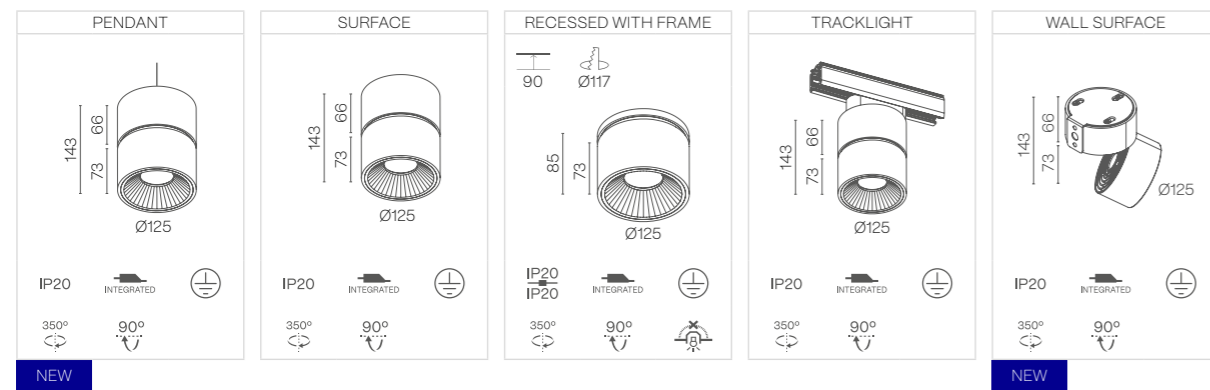
DIMM 1.10 V driver always supplied remote.
Integrated DALI operates at 500 mA.

Ø100



DIMM 1.10 V driver always supplied remote.

Ø125



- Cut hole
- Minimum height of the false ceiling
- Luminaire not suitable to be covered with thermal insulating material

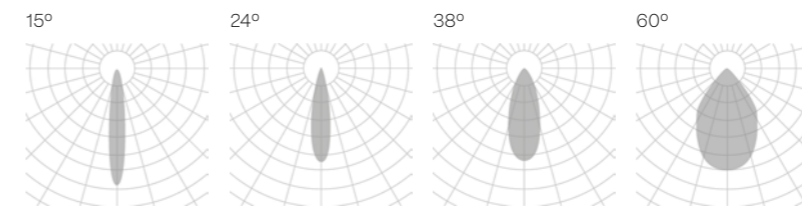
- ON DEMAND OPTIONS**
- Wireless control options

- DIMM OPTIONS ONLY TRACKLIGHT**
- O** · On-Off
 - D** · Dali
 - F** · Phase cut

KLIMT

POWER STANDARD

		Ø75	Ø100	Ø125
		700 mA 6 W 822 - 840 - 875 lm	350 mA 12 W 1735 - 1766 - 1844 lm	700 mA 23 W 3549 - 3611 - 3769 lm
15°	2700 K	320EB 122	320EE 122	320EH 122
	3000 K	320EB 123	320EE 123	320EH 123
	4000 K	320EB 125	320EE 125	320EH 125
24°	2700 K	320EB 142	320EE 142	320EH 142
	3000 K	320EB 143	320EE 143	320EH 143
	4000 K	320EB 145	320EE 145	320EH 145
38°	2700 K	320EB 152	320EE 152	320EH 152
	3000 K	320EB 153	320EE 153	320EH 153
	4000 K	320EB 155	320EE 155	320EH 155
60°	2700 K	-	320EE 172	320EH 172
	3000 K	-	320EE 173	320EH 173
	4000 K	-	320EE 175	320EH 175

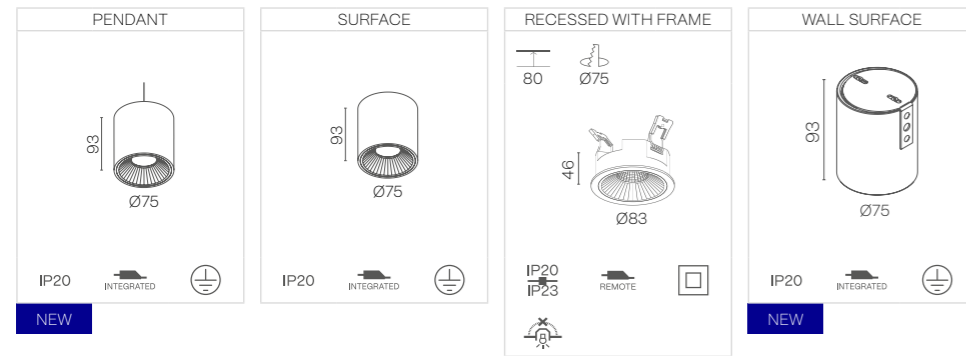


The data shown corresponds to raw values.

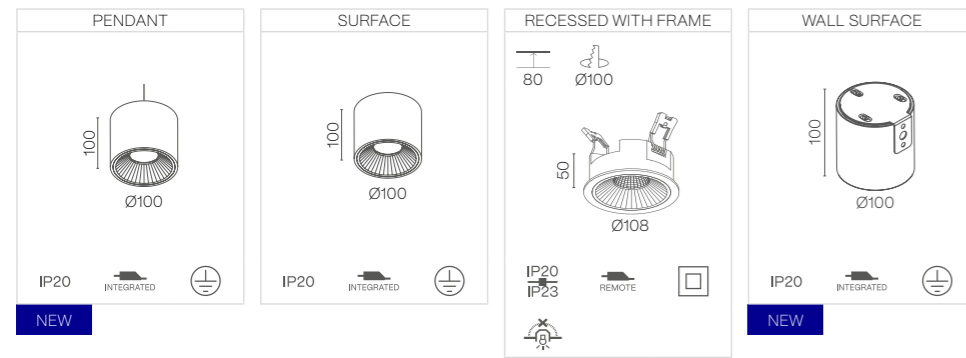
- INSTALLATION**
 - 1 · Pendant
 - 3 · Surface
 - 5 · Recessed with frame
 - 7 · Wall surface
 - 9 · Tracklight
- FINISH**
 - B · Black
 - W · White
 - G · Black - white
 - H · White - black
 - I · White - special color
 - J · Black - special color
- DIMM OPTIONS**
 - O · On-Off
 - D · Dali
 - P · Push
 - V · 1.10v
 - F · Phase cut
- Down light

KLIMT FIX

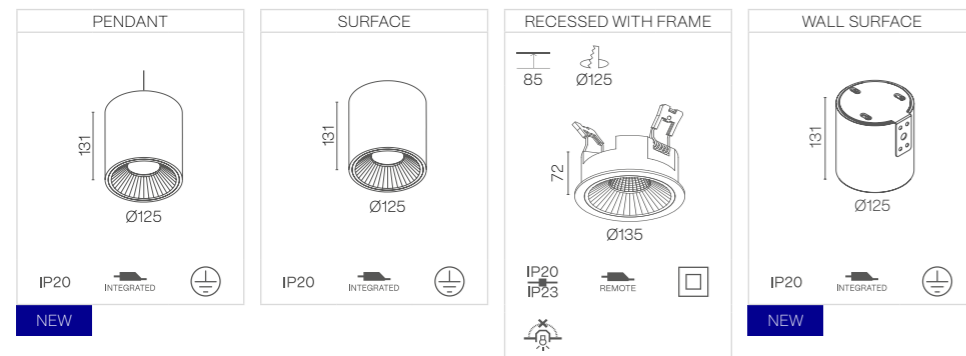
Ø75



Ø100



Ø125



- Cut hole
- Minimum height of the false ceiling
- Luminaire not suitable to be covered with thermal insulating material

- ON DEMAND OPTIONS**
- Wireless control options

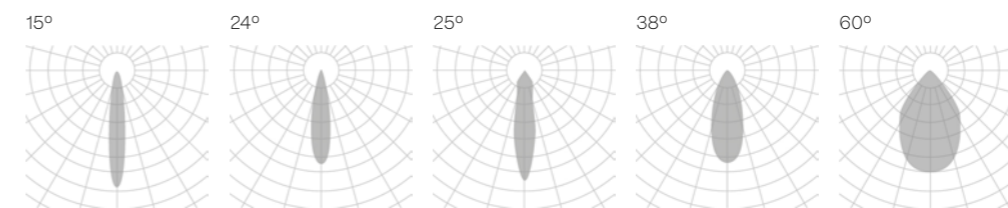
KLIMT FIX

POWER STANDARD

		Ø75	
		700 mA	6 W 822 - 840 - 875 lm
15°	2700 K		321EB 122
	3000 K		321EB 123
	4000 K		321EB 125
24°	2700 K		321EB 142
	3000 K		321EB 143
	4000 K		321EB 145
38°	2700 K		321EB 152
	3000 K		321EB 153
	4000 K		321EB 155

		Ø100	
		350 mA	12 W 1735 - 1766 - 1844 lm
15°	2700 K		321EE 122
	3000 K		321EE 123
	4000 K		321EE 125
25°	2700 K		321EE 142
	3000 K		321EE 143
	4000 K		321EE 145
38°	2700 K		321EE 152
	3000 K		321EE 153
	4000 K		321EE 155
60°	2700 K		321EE 172
	3000 K		321EE 173
	4000 K		321EE 175

		Ø125	
		700 mA	23 W 3549 - 3611 - 3769 lm
15°	2700 K		321EH 122
	3000 K		321EH 123
	4000 K		321EH 125
24°	2700 K		321EH 142
	3000 K		321EH 143
	4000 K		321EH 145
38°	2700 K		321EH 152
	3000 K		321EH 153
	4000 K		321EH 155
60°	2700 K		321EH 172
	3000 K		321EH 173
	4000 K		321EH 175



The data shown corresponds to raw values.

- INSTALLATION**
 - FINISH**
 - DIMM OPTIONS**
 - Down light
- 1 · Pendant
 - B · Black
 - O · On-Off
 -
 - 3 · Surface
 - W · White
 - D · Dali
 -
 - 5 · Recessed with frame
 - G · Black - white
 - P · Push
 -
 - 7 · Wall surface
 - H · White - black
 -
 -
 - I · White - special color
 -
 -
 - J · Black - special color

CUBE FAMILY



ALUMINIUM
PC

CRI
≥90

IK06

LIFE
50000H



DIM
OPTIONAL

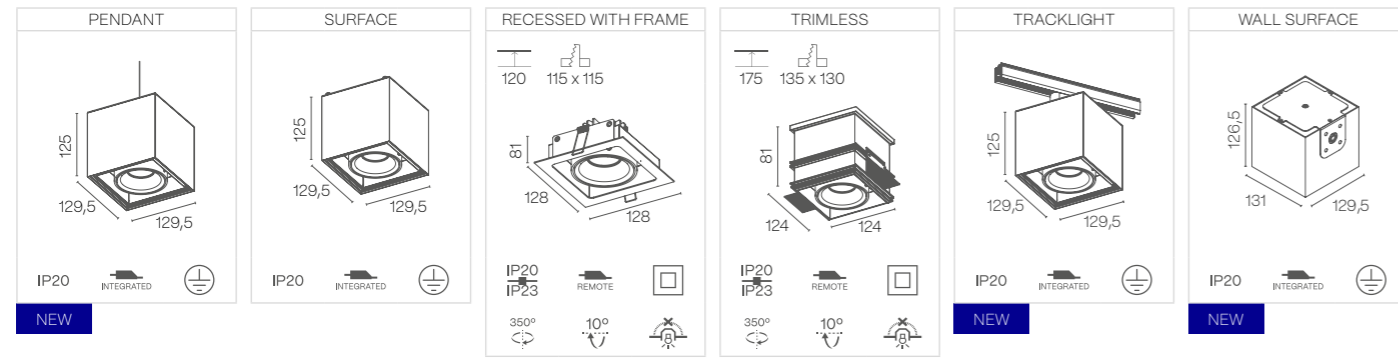
INDOOR

220-240 V
50-60 Hz

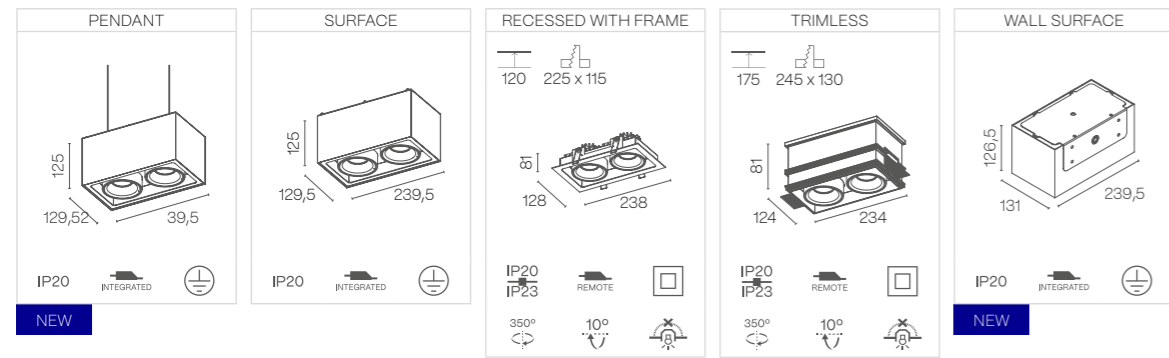
CE

CUBE

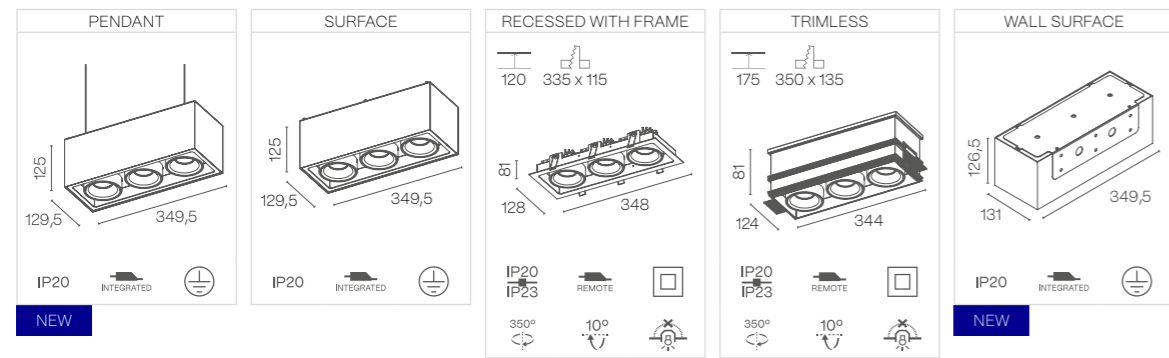
CUBE



CUBE DOUBLE



CUBE TRIPLE



- Cut hole
- Minimum height of the false ceiling
- Luminaire not suitable to be covered with thermal insulating material

- ON DEMAND OPTIONS**
- Wireless control options

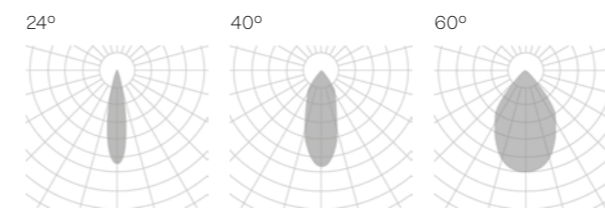
CUBE

POWER STANDARD

		CUBE	CUBE DOUBLE	CUBE TRIPLE
24°	250 mA	8 W 1347 - 1369 - 1432 lm	16 W 2692 - 2738 - 2864 lm	24 W 4038 - 4107 - 4296 lm
	2700 K	309EB 142	310EE 142	311EH 142
	3000 K	309EB 143	310EE 143	311EH 143
40°	4000 K	309EB 145	310EE 145	311EH 145
	2700 K	309EB 152	310EE 152	311EH 152
	3000 K	309EB 153	310EE 153	311EH 153
60°	4000 K	309EB 155	310EE 155	311EH 155
	2700 K	309EB 172	310EE 172	311EH 172
	3000 K	309EB 173	310EE 173	311EH 173
	4000 K	309EB 175	310EE 175	311EH 175

HIGH STANDARD

		CUBE	CUBE DOUBLE	CUBE TRIPLE
24°	500 mA	17 W 2316 - 2354 - 2464 lm	34 W 4630 - 4708 - 4928 lm	51 W 6945 - 7062 - 7392 lm
	2700 K	309EB 342	310EE 342	311EH 342
	3000 K	309EB 343	310EE 343	311EH 343
40°	4000 K	309EB 345	310EE 345	311EH 345
	2700 K	309EB 352	310EE 352	311EH 352
	3000 K	309EB 353	310EE 353	311EH 353
60°	4000 K	309EB 355	310EE 355	311EH 355
	2700 K	309EB 372	310EE 372	311EH 372
	3000 K	309EB 373	310EE 373	311EH 373
	4000 K	309EB 375	310EE 375	311EH 375

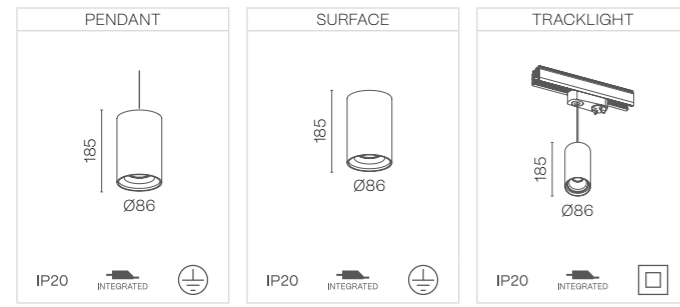


The data shown corresponds to raw values.

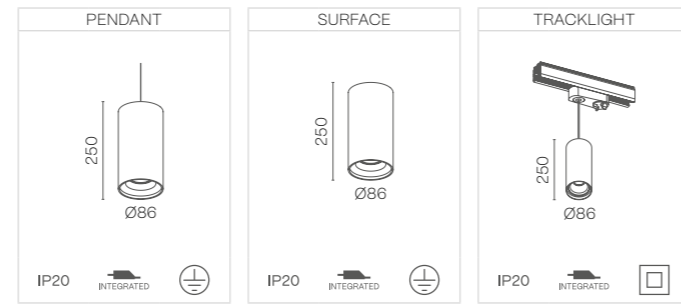
- INSTALLATION**
 - 1 · Pendant
 - 3 · Surface
 - 5 · Recessed with frame
 - 6 · Trimless
 - 7 · Wall surface
 - 9 · Tracklight
- FINISH**
 - B · Black
 - W · White
 - S · Special color
 - H · White - black
- DIMM OPTIONS**
 - O · On-Off
 - D · Dali
 - P · Push
- Down light

CUBE TUBE

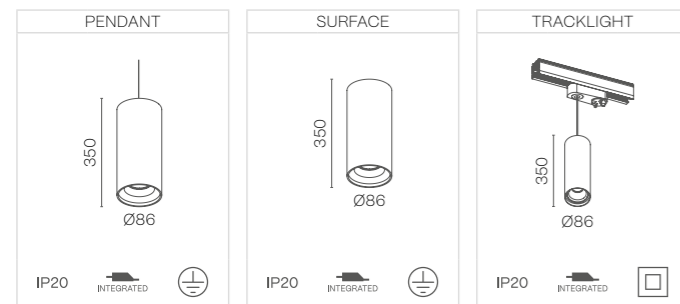
H185



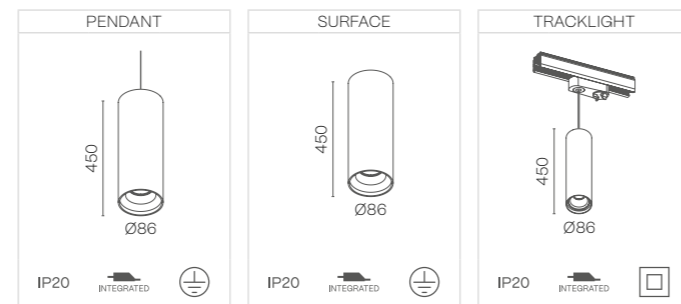
H250



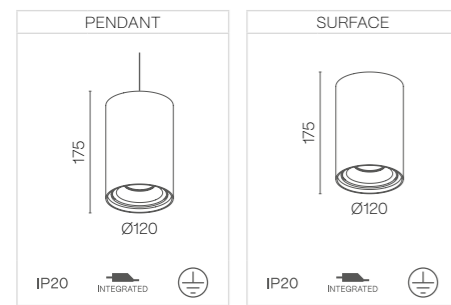
H350



H450



H175



ON DEMAND OPTIONS

Wireless control options

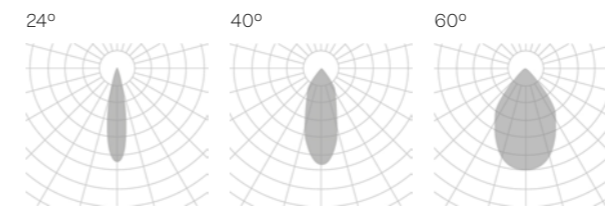
CUBE TUBE

POWER STANDARD

		H185	H250	H350	H450
24°	350 mA	8 W 1358 - 1380 - 1445 lm	8 W 1358 - 1380 - 1445 lm	8 W 1358 - 1380 - 1445 lm	8 W 1358 - 1380 - 1445 lm
	2700 K	312EB 142	312EE 142	312EH 142	312EJ 142
	3000 K	312EB 143	312EE 143	312EH 143	312EJ 143
40°	4000 K	312EB 145	312EE 145	312EH 145	312EJ 145
	2700 K	312EB 152	312EE 152	312EH 152	312EJ 152
	3000 K	312EB 153	312EE 153	312EH 153	312EJ 153
60°	4000 K	312EB 155	312EE 155	312EH 155	312EJ 155
	2700 K	312EB 172	312EE 172	312EH 172	312EJ 172
	3000 K	312EB 173	312EE 173	312EH 173	312EJ 173
	4000 K	312EB 175	312EE 175	312EH 175	312EJ 175

POWER STANDARD

		H175
24°	500 mA	16 W 2720 - 2767 - 2888 lm
	2700 K	313EB 142
	3000 K	313EB 143
40°	4000 K	313EB 145
	2700 K	313EB 152
	3000 K	313EB 153
60°	4000 K	313EB 155
	2700 K	313EB 172
	3000 K	313EB 173
	4000 K	313EB 175



The data shown corresponds to raw values.

INSTALLATION

- 1 · Pendant
- 3 · Surface
- 9 · Tracklight

FINISH

- B · Black
- W · White
- G · Black - white
- H · White - black
- I · White - special color
- J · Black - special color

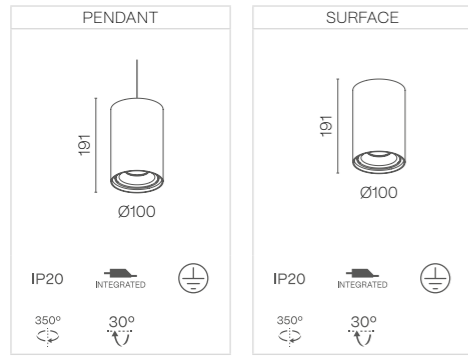
DIMM OPTIONS

- O · On-Off
- D · Dali
- P · Push

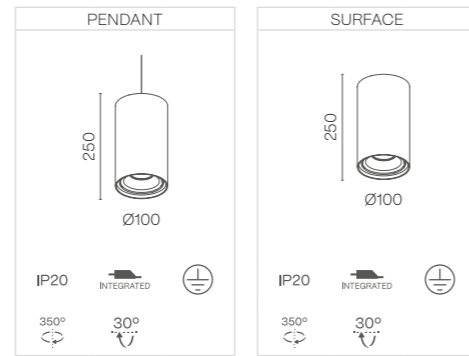
Down light

CUBE TUBE MOVE

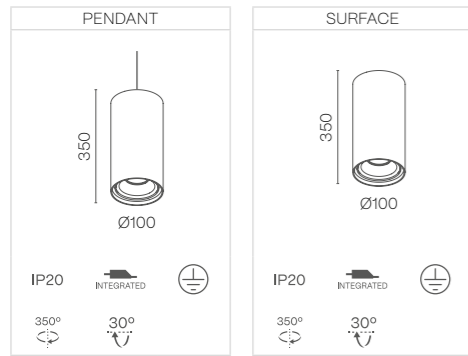
H191



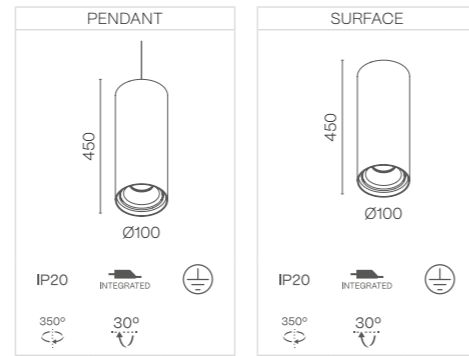
H250



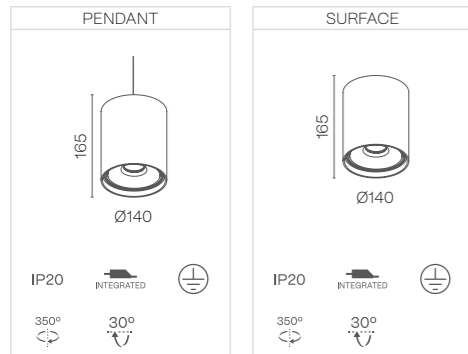
H350



H450



H165



ON DEMAND OPTIONS

- Wireless control options

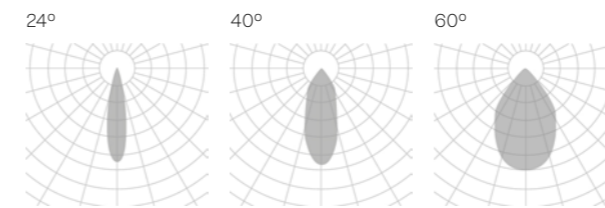
CUBE TUBE MOVE

POWER STANDARD

		H191	H250	H350	H450
24°	350 mA	11 W 1784 - 1820 - 1866 lm	11 W 1784 - 1820 - 1866 lm	11 W 1784 - 1820 - 1866 lm	11 W 1784 - 1820 - 1866 lm
	2700 K	314EB 142	314EE 142	314EH 142	314EJ 142
	3000 K	314EB 143	314EE 143	314EH 143	314EJ 143
40°	4000 K	314EB 145	314EE 145	314EH 145	314EJ 145
	2700 K	314EB 152	314EE 152	314EH 152	314EJ 152
	3000 K	314EB 153	314EE 153	314EH 153	314EJ 153
60°	4000 K	314EB 155	314EE 155	314EH 155	314EJ 155
	2700 K	314EB 172	314EE 172	314EH 172	314EJ 172
	3000 K	314EB 173	314EE 173	314EH 173	314EJ 173
	4000 K	314EB 175	314EE 175	314EH 175	314EJ 175

POWER STANDARD

		H165
24°	350 mA	20 W 2720 - 2767 - 2888 lm
	2700 K	315EB 142
	3000 K	315EB 143
40°	4000 K	315EB 145
	2700 K	315EB 152
	3000 K	315EB 153
60°	4000 K	315EB 155
	2700 K	315EB 172
	3000 K	315EB 173
	4000 K	315EB 175



The data shown corresponds to raw values.

INSTALLATION

- 1 · Pendant
- 3 · Surface

FINISH

- B · Black
- W · White
- G · Black - white
- H · White - black
- I · White - special color
- J · Black - special color

DIMM OPTIONS

- O · On-Off
- D · Dali
- P · Push

Down light

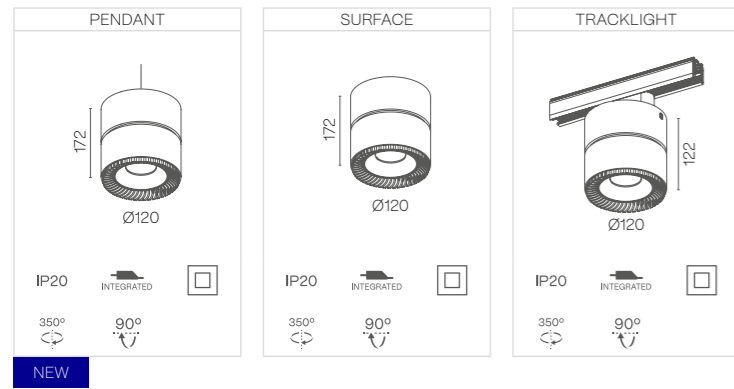
LUK FAMILY



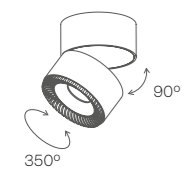
- ALUMINIUM PC
- CRI ≥90
- IK08
- LIFE 50000H
- DIM OPTIONAL
- INDOOR
- 220-240 V 50-60 Hz
- CE

LUK CRUSADER

Ø120



Rotation mechanism detail



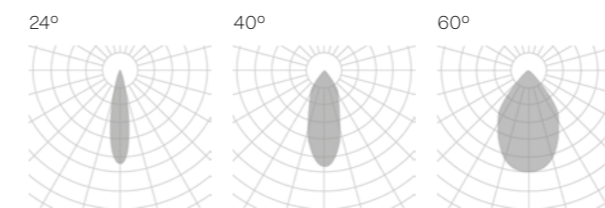
- Cut hole
- Minimum height of the false ceiling
- Luminaire not suitable to be covered with thermal insulating material

- ON DEMAND OPTIONS**
- Wireless control options

LUK CRUSADER

POWER STANDARD

		Ø120	
	500 mA	18 W 2273 - 2386 - 2410 lm	
24°	2700 K	330EB 142	
	3000 K	330EB 143	
	4000 K	330EB 145	
40°	2700 K	330EB 152	
	3000 K	330EB 153	
	4000 K	330EB 155	
60°	2700 K	330EB 172	
	3000 K	330EB 173	
	4000 K	330EB 175	



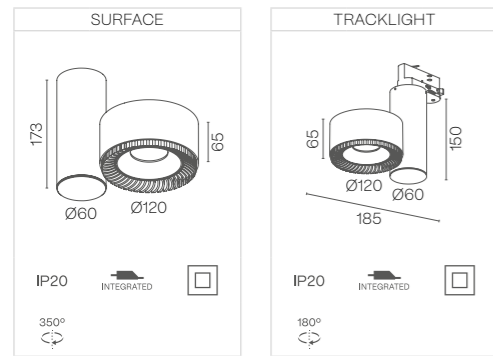
The data shown corresponds to raw values.

- INSTALLATION**
 - 1 · Pendant
 - 3 · Surface
 - 9 · Tracklight
- FINISH**
 - B · Black
 - W · White
 - H · White - black
- DIMM OPTIONS**
 - O · On-Off
 - D · Dali
 - P · Push

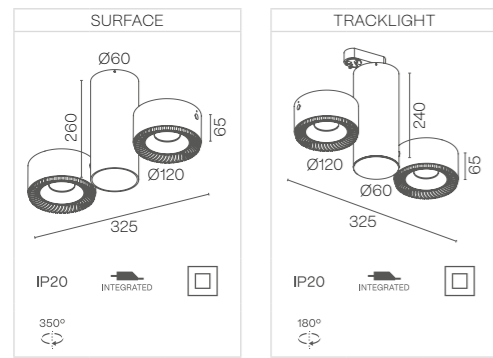
Down light

LUK HAWKEYE

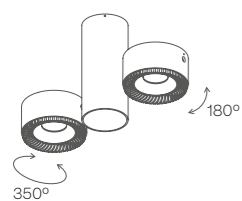
HAWKEYE



HAWKEYE DOUBLE



Rotation mechanism detail



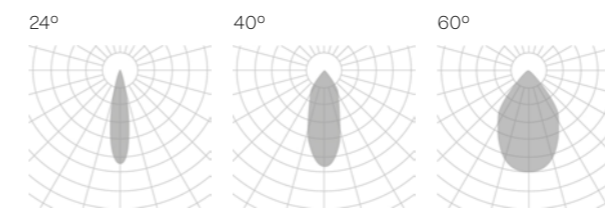
- Cut hole
- Minimum height of the false ceiling
- Luminaire not suitable to be covered with thermal insulating material

- ON DEMAND OPTIONS**
- Wireless control options

LUK HAWKEYE

POWER STANDARD

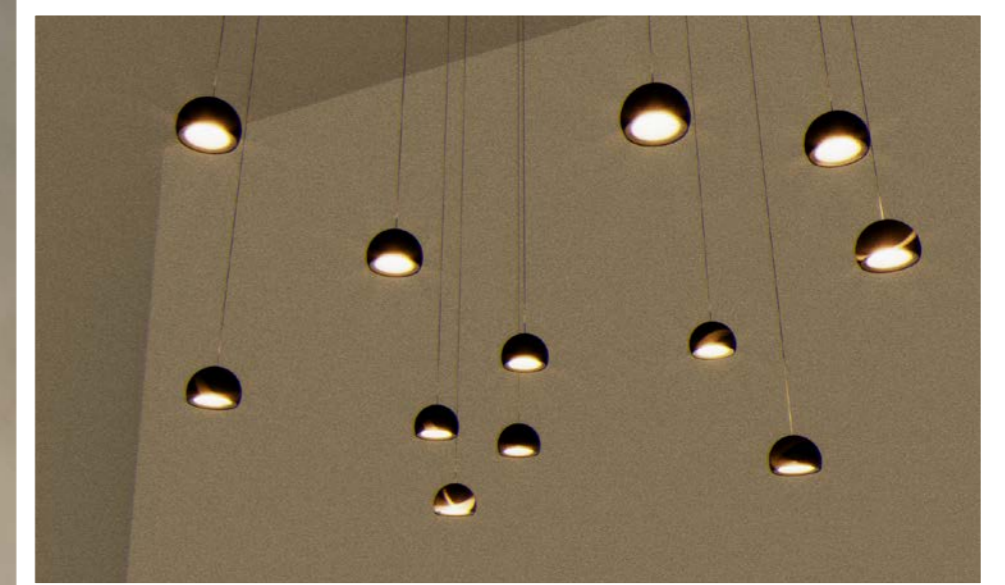
		HAWKEYE	HAWKEYE DOUBLE
24°	500 mA	18 W 2273 - 2386 - 2410 lm	36 W 4546 - 4772 - 4820 lm
	2700 K	331EB 142	332EB 142
	3000 K	331EB 143	332EB 143
40°	4000 K	331EB 145	332EB 145
	2700 K	331EB 152	332EB 152
	3000 K	331EB 153	332EB 153
60°	4000 K	331EB 155	332EB 155
	2700 K	331EB 172	332EB 172
	3000 K	331EB 173	332EB 173
	4000 K	331EB 175	332EB 175



The data shown corresponds to raw values.

- INSTALLATION**
 - 1 · Pendant
 - 2 · Pendant up light
 - 3 · Surface
 - 4 · Recessed with frame
 - 5 · Trimless
- FINISH**
 - B · Black
 - W · White
 - H · White - black
- DIMM OPTIONS**
 - O · On-Off
 - D · Dali
 - P · Push
- Down light

ORACLE FAMILY



ALUMINIUM
PC

CRI
≥90

IK08

LIFE
50000H



DIM
OPTIONAL

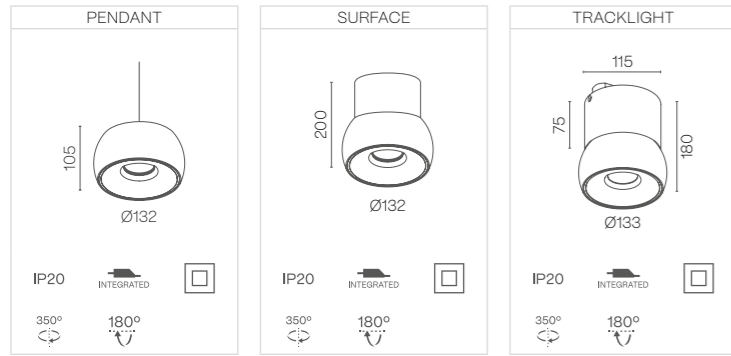
INDOOR

220-240 V
50-60 Hz

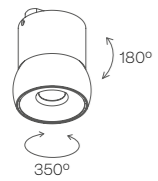
CE

ORACLE

Ø132



Rotation mechanism detail



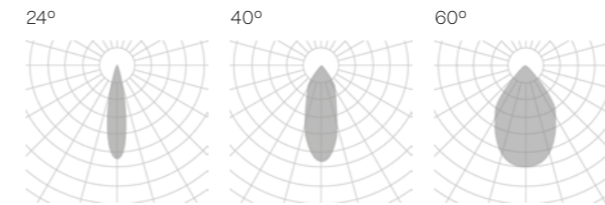
- Cut hole
- Minimum height of the false ceiling
- Luminaire not suitable to be covered with thermal insulating material

- ON DEMAND OPTIONS**
- Wireless control options

ORACLE

POWER STANDARD

		Ø132	
500 mA		18 W	
		2273 - 2386 - 2410 lm	
24°	2700 K	354EB 142	
	3000 K	354EB 143	
	4000 K	354EB 145	
40°	2700 K	354EB 152	
	3000 K	354EB 153	
	4000 K	354EB 155	
60°	2700 K	354EB 172	
	3000 K	354EB 173	
	4000 K	354EB 175	



The data shown corresponds to raw values.

- INSTALLATION**
 - 1 · Pendant
 - 2 · Pendant up light
 - 3 · Surface
 - 4 · Recessed with frame
 - 5 · Trimless
- FINISH**
 - B · Black
 - W · White
 - G · Black - white
 - H · White - black
 - I · White - special color
 - J · Black - special color
- DIMM OPTIONS**
 - O · On-Off
 - D · Dali
 - P · Push
- Down light

LENT FAMILY



- ALUMINIUM PC
- CRI ≥90
- IK06
- LIFE 50000H
- DIM OPTIONAL
- INDOOR
- 220-240 V 50-60 Hz
- CE

LENT MODULAR

1 LENS

PENDANT	SURFACE	RECESSED WITH FRAME	TRIMLESS	WALL SURFACE
L: 29 mm without cover kit H: 80 mm W: 34 mm	L: 29 mm without cover kit H: 80 mm W: 34 mm	105 38 x 40	77 57 x 45	L: 29 mm without cover kit H: 81,5 mm W: 57 mm
IP40 REMOTE	IP40 REMOTE	IP20 IP43 REMOTE	IP20 IP43 REMOTE	IP40 REMOTE
NEW	NEW			NEW

3 LENSES

PENDANT	SURFACE	RECESSED WITH FRAME	TRIMLESS	WALL SURFACE
L: 80 mm without cover kit H: 80 mm W: 34 mm	L: 80 mm without cover kit H: 80 mm W: 34 mm	105 90 x 40	77 96 x 45	L: 80 mm without cover kit H: 81,5 mm W: 57 mm
IP40 INTEGRATED	IP40 INTEGRATED	IP20 IP43 REMOTE	IP20 IP43 REMOTE	IP40 INTEGRATED
NEW	NEW			NEW

5 LENSES

PENDANT	SURFACE	RECESSED WITH FRAME	TRIMLESS	WALL SURFACE
L: 132 mm without cover kit H: 80 mm W: 34 mm	L: 132 mm without cover kit H: 80 mm W: 34 mm	105 142 x 40	77 148 x 45	L: 132 mm without cover kit H: 81,5 mm W: 57 mm
IP40 INTEGRATED	IP40 INTEGRATED	IP20 IP43 REMOTE	IP20 IP43 INTEGRATED	IP40 INTEGRATED
NEW	NEW			NEW

10 LENSES

PENDANT	SURFACE	RECESSED WITH FRAME	TRIMLESS	WALL SURFACE
L: 262 mm without cover kit H: 80 mm W: 34 mm	L: 262 mm without cover kit H: 80 mm W: 34 mm	105 272 x 40	77 275 x 45	L: 262 mm without cover kit H: 81,5 mm W: 57 mm
IP40 INTEGRATED	IP40 INTEGRATED	IP20 IP43 REMOTE	IP20 IP43 INTEGRATED	IP40 INTEGRATED
NEW	NEW			NEW

- Cut hole
- Minimum height of the false ceiling
- Luminaire not suitable to be covered with thermal insulating material
- ON DEMAND OPTIONS**
- Wireless control options
- Tracklight on demand

Length cover kit: 3 mm

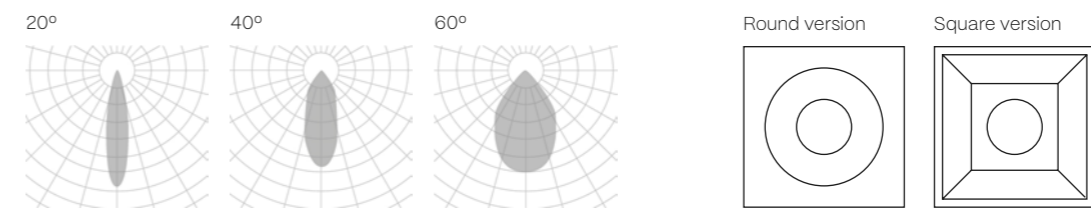
LENT MODULAR

POWER STANDARD – Round version

		1 LENS	3 LENSES	5 LENSES	10 LENSES
20°	700 mA	2 W 189 - 216 - 232 lm	6 W 566 - 647 - 697 lm	10 W 982 - 1079 - 1161 lm	20 W 1885 - 2158 - 2322 lm
	2700 K	324EB 132	324EH 132	324EL 132	324EV 132
	3000 K	324EB 133	324EH 133	324EL 133	324EV 133
40°	4000 K	324EB 135	324EH 135	324EL 135	324EV 135
	2700 K	324EB 152	324EH 152	324EL 152	324EV 152
	3000 K	324EB 153	324EH 153	324EL 153	324EV 153
60°	4000 K	324EB 155	324EH 155	324EL 155	324EV 155
	2700 K	324EB 172	324EH 172	324EL 172	324EV 172
	3000 K	324EB 173	324EH 173	324EL 173	324EV 173
	4000 K	324EB 175	324EH 175	324EL 175	324EV 175

POWER STANDARD – Square version

		1 LENS	3 LENSES	5 LENSES	10 LENSES
20°	700 mA	2 W 189 - 216 - 232 lm	6 W 566 - 647 - 697 lm	10 W 982 - 1079 - 1161 lm	20 W 1885 - 2158 - 2322 lm
	2700 K	325EB 132	325EH 132	325EL 132	325EV 132
	3000 K	325EB 133	325EH 133	325EL 133	325EV 133
40°	4000 K	325EB 135	325EH 135	325EL 135	325EV 135
	2700 K	325EB 152	325EH 152	325EL 152	325EV 152
	3000 K	325EB 153	325EH 153	325EL 153	325EV 153
60°	4000 K	325EB 155	325EH 155	325EL 155	325EV 155
	2700 K	325EB 172	325EH 172	325EL 172	325EV 172
	3000 K	325EB 173	325EH 173	325EL 173	325EV 173
	4000 K	325EB 175	325EH 175	325EL 175	325EV 175

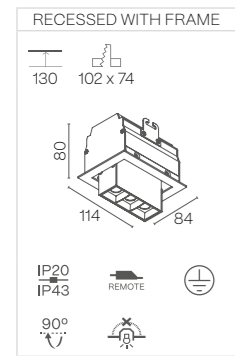


The data shown corresponds to raw values.

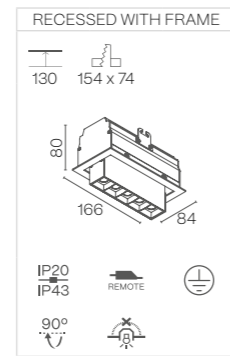
- INSTALLATION**
 - 1 · Pendant
 - 2 · Pendant up light
 - 3 · Surface
 - 5 · Recessed with frame
 - 6 · Trimless
- FINISH**
 - B · Black
 - W · White
 - G · Black - white
 - H · White - black
 - I · White - special color
 - J · Black - special color
- DIMM OPTIONS**
 - O · On-Off
 - D · Dali
 - P · Push
- Down light

LENT MOTION

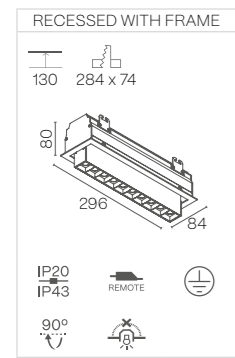
3 LENSES



5 LENSES



10 LENSES



- Cut hole
- Minimum height of the false ceiling
- Luminaire not suitable to be covered with thermal insulating material

- ON DEMAND OPTIONS**
- Wireless control options

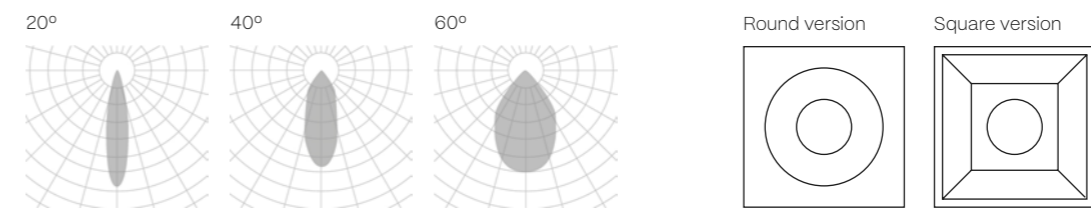
LENT MOTION

POWER STANDARD – Round version

		1 LENS	3 LENSES	5 LENSES	10 LENSES
20°	700 mA	2 W 189 - 216 - 232 lm	6 W 566 - 647 - 697 lm	10 W 982 - 1079 - 1161 lm	20 W 1885 - 2158 - 2322 lm
	2700 K	326EB 132	326EH 132	326EL 132	326EV 132
	3000 K	326EB 133	326EH 133	326EL 133	326EV 133
40°	4000 K	326EB 135	326EH 135	326EL 135	326EV 135
	2700 K	326EB 152	326EH 152	326EL 152	326EV 152
	3000 K	326EB 153	326EH 153	326EL 153	326EV 153
60°	4000 K	326EB 155	326EH 155	326EL 155	326EV 155
	2700 K	326EB 172	326EH 172	326EL 172	326EV 172
	3000 K	326EB 172	326EH 172	326EL 172	326EV 172
	4000 K	326EB 172	326EH 172	326EL 172	326EV 172

POWER STANDARD – Square version

		1 LENS	3 LENSES	5 LENSES	10 LENSES
20°	700 mA	2 W 189 - 216 - 232 lm	6 W 566 - 647 - 697 lm	10 W 982 - 1079 - 1161 lm	20 W 1885 - 2158 - 2322 lm
	2700 K	327EB 132	327EH 132	327EL 132	327EV 132
	3000 K	327EB 133	327EH 133	327EL 133	327EV 133
40°	4000 K	327EB 135	327EH 135	327EL 135	327EV 135
	2700 K	327EB 152	327EH 152	327EL 152	327EV 152
	3000 K	327EB 153	327EH 153	327EL 153	327EV 153
60°	4000 K	327EB 155	327EH 155	327EL 155	327EV 155
	2700 K	327EB 172	327EH 172	327EL 172	327EV 172
	3000 K	327EB 172	327EH 172	327EL 172	327EV 172
	4000 K	327EB 172	327EH 172	327EL 172	327EV 172



The data shown corresponds to raw values.

- INSTALLATION**
 - FINISH**
 - DIMM OPTIONS**
 - Down light
- 1 · Pendant
 - B · Black
 - O · On-Off
 -
 - 2 · Pendant up light
 - W · White
 - D · Dali
 -
 - 3 · Surface
 - G · Black - white
 - P · Push
 -
 - 4 · Recessed with frame
 - H · White - black
 -
 - 5 · Trimless
 - I · White - special color
 -
 -
 - J · Black - special color

ASTRA FAMILY

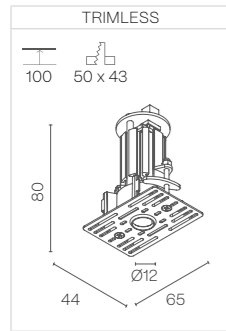


- ALUMINIUM PC
- CRI ≥90
- IK08
- LIFE 50000H
- DIM OPTIONAL
- REMOTE
- INDOOR
- 220-240 V 50-60 Hz
- CE
- IP20 IP23

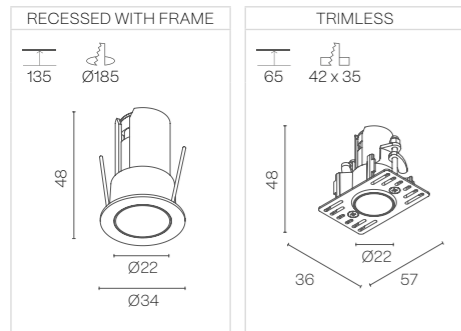
ASTRA

NEW

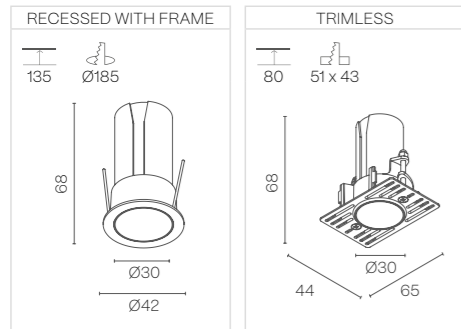
Ø12



Ø22



Ø30



ON DEMAND OPTIONS

Wireless control options

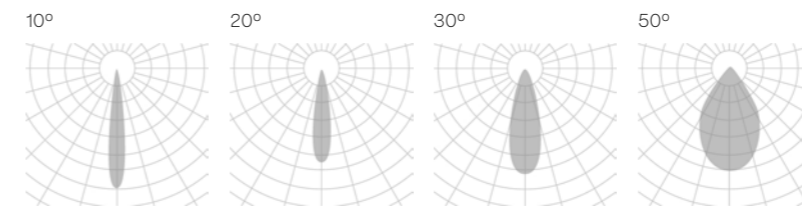
ASTRA

POWER STANDARD

		Ø12	Ø22	Ø30
20°	700 mA	700 mA 3 W 251 - 296 - 319 lm	700 mA 3 W 264 - 278 - 328 lm	300 mA 5 W 710 - 736 - 751 lm
	2700 K	-	302EE B S 132 X	302EH B S 132 X
	3000 K	-	302EE B S 133 X	302EH B S 133 X
30°	4000 K	-	302EE B S 135 X	302EH B S 135 X
	2700 K	302EE B S 132 X	-	302EH B S 132 X
	3000 K	302EE B S 133 X	-	302EH B S 133 X
50°	4000 K	302EE B S 135 X	-	302EH B S 135 X
	2700 K	302EB6 B 162 X	302EE6 B 162 X	302EH6 B 162 X
	3000 K	302EB6 B 163 X	302EE6 B 163 X	302EH6 B 163 X
	4000 K	302EB6 B 165 X	302EE6 B 165 X	302EH6 B 165 X

		Ø12
10°	700 mA	3 W 140 - 147 - 155 lm
	2700 K	302EB6 B 112 X
	3000 K	302EB6 B 113 X
	4000 K	302EB6 B 115 X

		Ø12
Asymmetric	700 mA	3 W 249 - 262 - 275 lm
	2700 K	302EB6 B 182 X
	3000 K	302EB6 B 183 X
	4000 K	302EB6 B 185 X



The data shown corresponds to raw values.

Down light

FINISH

B · Black
W · White
S · Special color

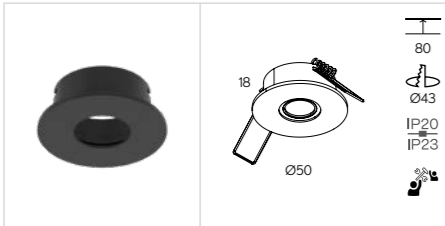
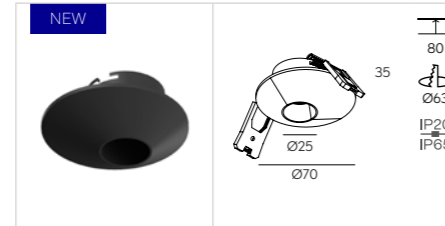
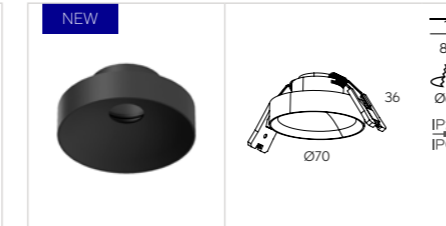

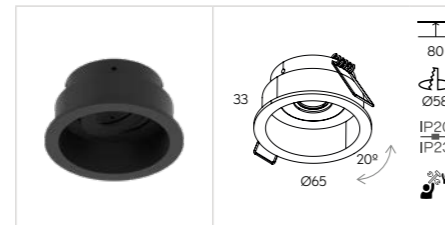
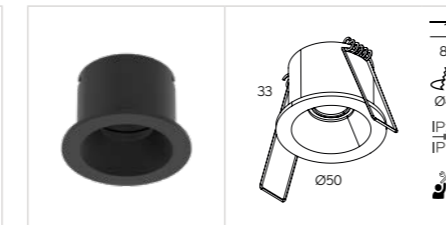
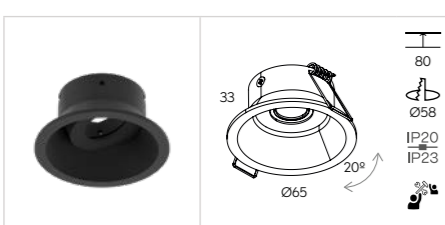
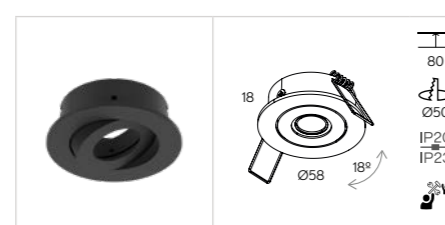
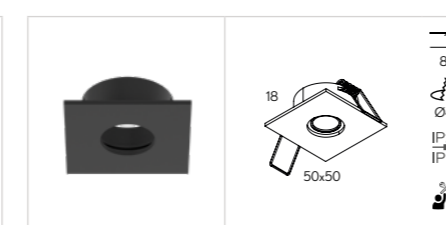
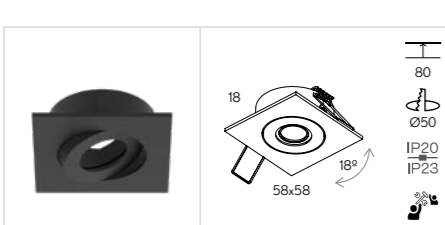
DIMM OPTIONS

O · On-Off
D · Dali
P · Push
V · 1.10

VIO FAMILY

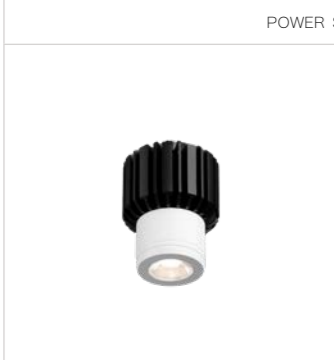
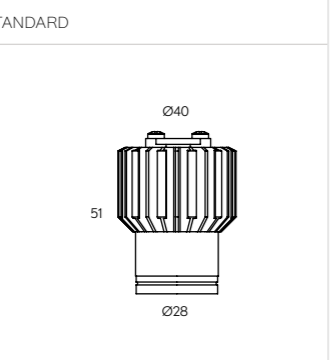
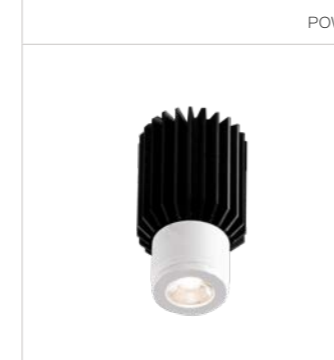
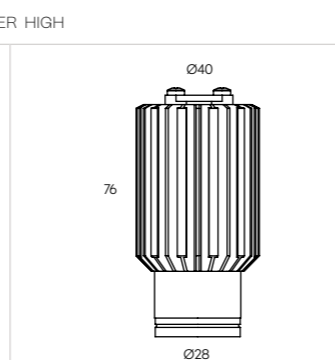


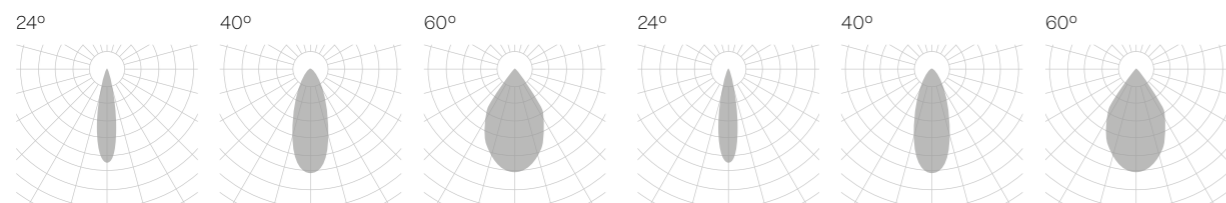
FRAMES

 VIO 370	 VIO ASYMETRIC 371	 VIO COMPACT 372
 VIO DEEP 373	 VIO DEEP MOVE 374	 VIO DOME 375
 VIO DOME MOVE 376	 VIO MOVE 378	 VIO SQ 379
 VIO SQUARE MOVE 380		



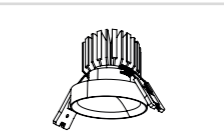

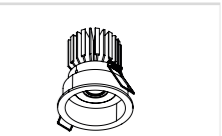
IP65 on demand

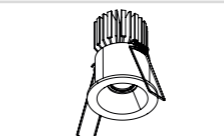

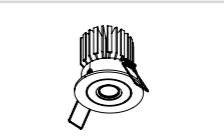
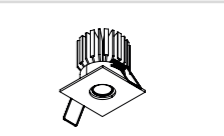
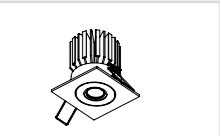
VIO LED

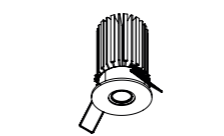
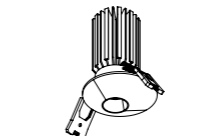
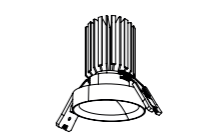
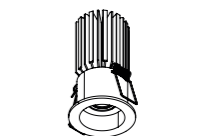
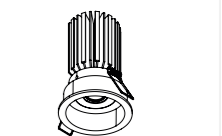
POWER STANDARD		POWER HIGH	
			

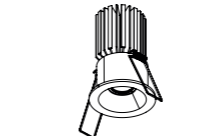
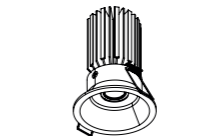
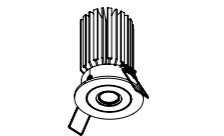
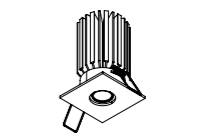
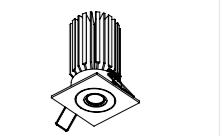


TECHNICAL DATA

						
700 mA	3 W 355 - 395 - 411 lm	3 W 355 - 395 - 411 lm	3 W 355 - 395 - 411 lm	3 W 355 - 395 - 411 lm	3 W 355 - 395 - 411 lm	
POWER STANDARD	2700 K	370EB5 1A 2	371EB5 1A 2	372EB5 1A 2	373EB5 1A 2	374EB5 1A 2
	3000 K	370EB5 1A 3	371EB5 1A 3	372EB5 1A 3	373EB5 1A 3	374EB5 1A 3
	4000 K	370EB5 1A 5	371EB5 1A 5	372EB5 1A 5	373EB5 1A 5	374EB5 1A 5

						
700 mA	3 W 355 - 395 - 411 lm	3 W 355 - 395 - 411 lm	3 W 355 - 395 - 411 lm	3 W 355 - 395 - 411 lm	3 W 355 - 395 - 411 lm	
POWER STANDARD	2700 K	375EB5 1A 2	376EB5 1A 2	378EB5 1A 2	379EB5 1A 2	380EB5 1A 2
	3000 K	375EB5 1A 3	376EB5 1A 3	378EB5 1A 3	379EB5 1A 3	380EB5 1A 3
	4000 K	375EB5 1A 5	376EB5 1A 5	378EB5 1A 5	379EB5 1A 5	380EB5 1A 5

						
700 mA	3 W 669 - 722 - 774 lm	3 W 669 - 722 - 774 lm	3 W 669 - 722 - 774 lm	3 W 669 - 722 - 774 lm	3 W 669 - 722 - 774 lm	
POWER HIGH	2700 K	370EB5 3A 2	371EB5 1A 2	372EB5 3A 2	373EB5 3A 2	374EB5 3A 2
	3000 K	370EB5 3A 3	371EB5 1A 3	372EB5 3A 3	373EB5 3A 3	374EB5 3A 3
	4000 K	370EB5 3A 5	371EB5 1A 5	372EB5 3A 5	373EB5 3A 5	374EB5 3A 5

						
700 mA	3 W 669 - 722 - 774 lm	3 W 669 - 722 - 774 lm	3 W 669 - 722 - 774 lm	3 W 669 - 722 - 774 lm	3 W 669 - 722 - 774 lm	
POWER HIGH	2700 K	375EB5 3A 2	376EB5 3A 2	378EB5 3A 2	379EB5 3A 2	380EB5 3A 2
	3000 K	375EB5 3A 3	376EB5 3A 3	378EB5 3A 3	379EB5 3A 3	380EB5 3A 3
	4000 K	375EB5 3A 5	376EB5 3A 5	378EB5 3A 5	379EB5 3A 5	380EB5 3A 5

	DRVL VIO DRIVERS		DRVL VIO DRIVERS		
POWER STANDARD	2 - 3 VIO	DRVL.01.ST	POWER HIGH	1 - 3 VIO	DRVL.01.HI
	4 - 9 VIO	DRVL.02.ST		4 - 8 VIO	DRVL.02.HI
	10 - 15 VIO	DRVL.03.ST		-	-

The dimmable driver dimensions are larger than the cut-out hole. Dimming options require the combination of a minimum of two luminaires. The "DRVL.ST" dimming options require the combination of a minimum of two luminaires. The data shown corresponds to raw values.



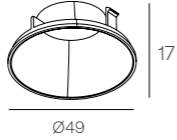
<p>FINISH</p> <ul style="list-style-type: none"> B · Black W · White S · Special color 	<p>OPTIC OPTIONS FOR STANDARD</p> <ul style="list-style-type: none"> 1 · 9° 2 · 12° 4 · 30° 	<p>OPTIC OPTIONS FOR HIGH</p> <ul style="list-style-type: none"> 3 · 16° 4 · 24° 5 · 38° 	<p>DIMM OPTIONS</p> <ul style="list-style-type: none"> D · Dali P · Push V · 1.10v 	<p>ON DEMAND OPTIONS</p> <ul style="list-style-type: none"> Wireless control options Down light
--	---	--	--	--

SASSY FAMILY

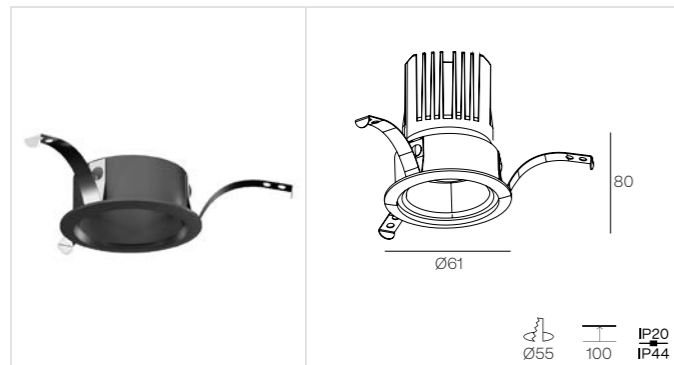


SASSY ROUND, SMALL DIMENSION

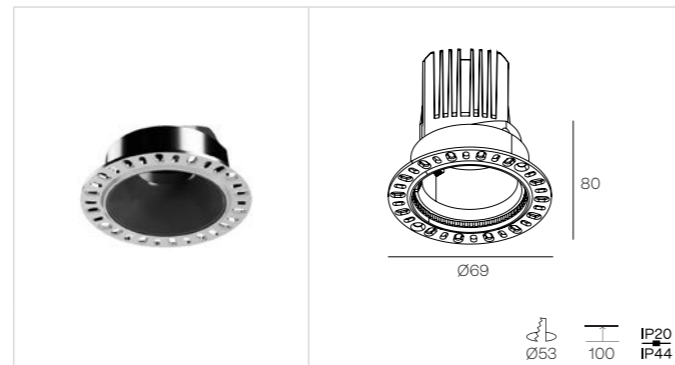
SASSY ROUND RING PARTS

WHITE FINISH RING	BLACK FINISH RING	CHROME FINISH RING	SKETCH
			
360			


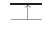

RECESSED WITH FRAME




TRIMLESS



SASSY 8°: IP20/20













-  Cut hole
-  Minimum height of the false ceiling
-  Luminaire not suitable to be covered with thermal insulating material

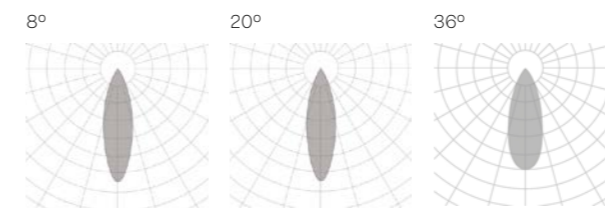
- ON DEMAND OPTIONS**
-  Wireless control options

TECHNICAL DATA

POWER STANDARD


		1300 mA 3 W	.00 SASSY ROUND + ROUND RING
8°	2700 K	300 lm	360EA   112 
	3000 K	315 lm	360EA   113 
	4000 K	372 lm	360EA   115 


		200 mA 7 W	.00 SASSY ROUND + ROUND RING
20° - 36°	2700 K	1000 lm	360EA   1  2 
	3000 K	1013 lm	360EA   1  3 
	4000 K	1059 lm	360EA   1  5 




The data shown corresponds to raw values.


SASSY ROUND + MODEL 1

-  **BLACK BASE COLOR + FINISH RING**
- B** · Black + Black
 - G** · Black + White
 - J** · Black + Chrome

-  **WHITE BASE COLOR + FINISH RING**
- H** · White + Black
 - W** · White + White
 - I** · White + Chrome

-  **INSTALLATION**
- 5** · Recessed with frame
 - 6** · Trimless

-  **DIMM OPTIONS**
- O** · On-Off
 - D** · Dali
 - P** · Push
 - V** · 1.10v
 - F** · Phase cut

-  **BEAM ANGLE**
- 2** · 8°
 - 4** · 20°
 - 5** · 36°

SASSY ROUND, BIG DIMENSION

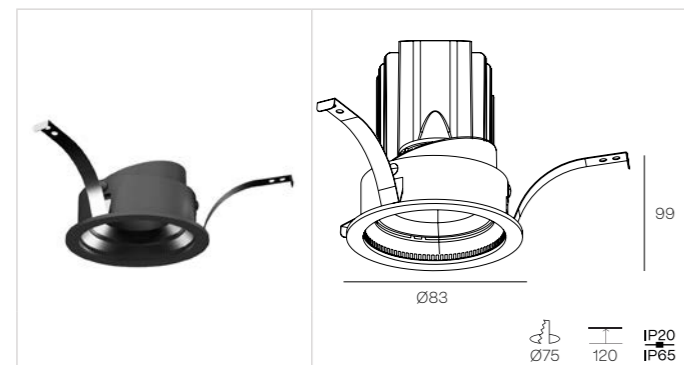
SASSY ROUND RING PARTS

WHITE FINISH RING	BLACK FINISH RING	CHROME FINISH RING	MAT SILVER FINISH RING	GRAFITE FINISH RING	SKETCH
360					

OTHER SASSY RING PARTS - Available only in white-white or black-white finish

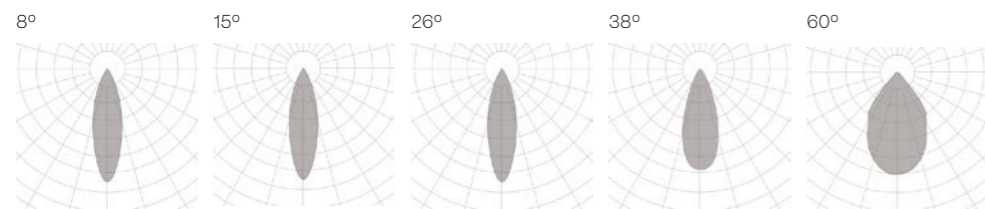
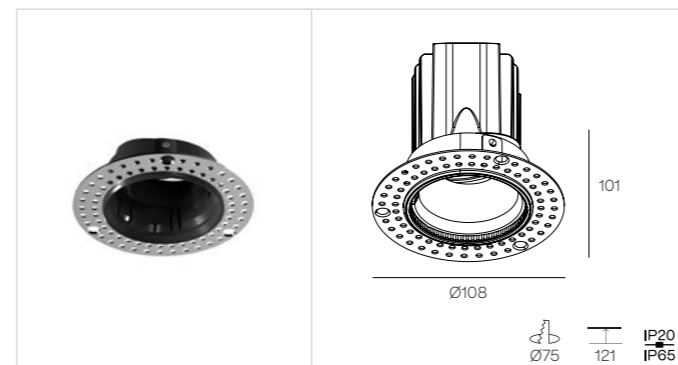
SASSY SNOOT RING	SKETCH	SASSY OVAL HOLE RING	SKETCH	SASSY ROUND HOLE RING	SKETCH
362		363		364	

RECESSED WITH FRAME



SASSY 8°: IP20/44

TRIMLESS



- Cut hole
- Minimum height of the false ceiling
- Luminaire not suitable to be covered with thermal insulating material

- ON DEMAND OPTIONS**
- Wireless control options

TECHNICAL DATA

POWER STANDARD

POWER STANDARD	TEMPERATURE	CURRENT	WATTAGE	LUMENS	.01	.01	.01	.01
					SASSY ROUND + ROUND RING	SASSY ROUND + SASSY SNOOT RING	SASSY ROUND + SASSY OVAL HOLE RING	SASSY ROUND + SASSY ROUND HOLE RING
POWER STANDARD	2700 K	250 mA	8 W	1325 lm	360EB	362EB	363EB	364EB
	3000 K	250 mA	8 W	1342 lm	360EB	362EB	363EB	364EB
	4000 K	250 mA	8 W	1405 lm	360EB	362EB	363EB	364EB
	DWHITE	250 mA	10 W	880 - 3 lm	360EB	362EB	363EB	364EB
POWER MEDIUM	2700 K	350 mA	12 W	1774 lm	360EB	362EB	363EB	364EB
	3000 K	350 mA	12 W	1803 lm	360EB	362EB	363EB	364EB
	4000 K	350 mA	12 W	1888 lm	360EB	362EB	363EB	364EB
	DWHITE	-	-	-	360EB	362EB	363EB	364EB
POWER HIGH	2700 K	500 mA	18 W	2407 lm	360EB	362EB	363EB	364EB
	3000 K	500 mA	18 W	2448 lm	360EB	362EB	363EB	364EB
	4000 K	500 mA	18 W	2563 lm	360EB	362EB	363EB	364EB
	DWHITE	-	-	-	360EB	362EB	363EB	364EB

TEMPERATURE	CURRENT	WATTAGE	LUMENS	.01	.01	.01	.01	
				SASSY ROUND + ROUND RING	SASSY ROUND + SASSY SNOOT RING	SASSY ROUND + SASSY OVAL HOLE RING	SASSY ROUND + SASSY ROUND HOLE RING	
8°	2700 K	700 mA	8 W	606 lm	360EB	362EB	363EB	364EB
	3000 K	700 mA	8 W	652 lm	360EB	362EB	363EB	364EB
	4000 K	700 mA	8 W	661 lm	360EB	362EB	363EB	364EB

The data shown corresponds to raw values.

If the symbols use identical lettering, the desired color must be specified at a later stage.

SASSY ROUND - ROUND RING

- BLACK BASE COLOR + FINISH RING**
 - B · Black + Black
 - G · Black + White
 - J · Black + Chrome
 - J · Black + Grafite
 - J · Black + Mat Silver
- WHITE BASE COLOR + FINISH RING**
 - H · White + Black
 - W · White + White
 - I · White + Chrome
 - I · White + Grafite
 - I · White + Mat Silver

SASSY ROUND - OTHER RINGS

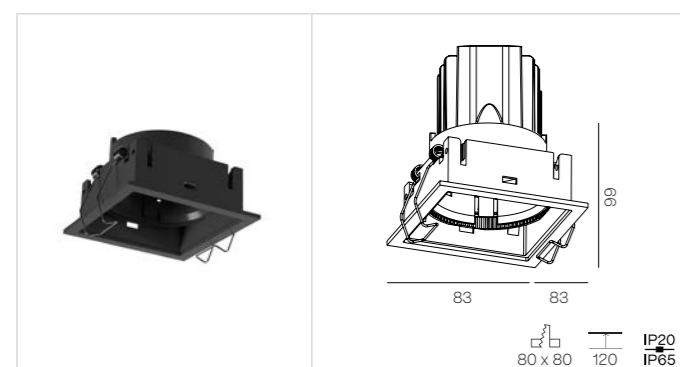
- BLACK BASE COLOR + FINISH RING**
 - B · Black + White
- WHITE BASE COLOR + FINISH RING**
 - W · White + White
- INSTALLATION**
 - 5 · Recessed with frame
 - 6 · Trimless
- DIMM OPTIONS**
 - O · On-Off
 - D · Dali
 - P · Push
 - V · 1.10v
 - F · Phase cut
- BEAM ANGLE**
 - 2 · 15°
 - 4 · 26°
 - 5 · 38°
 - 7 · 60°

SASSY SQ

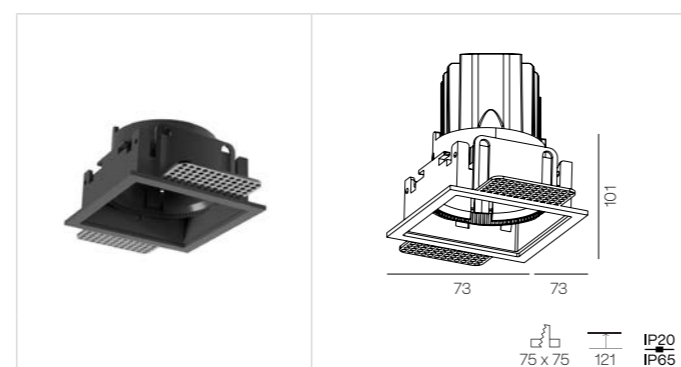
RING PARTS



RECESSED WITH FRAME



TRIMLESS



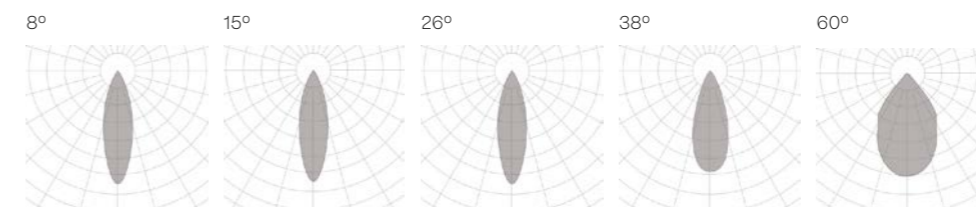
- Cut hole
- Minimum height of the false ceiling
- Luminaire not suitable to be covered with thermal insulating material

- ON DEMAND OPTIONS**
- Wireless control options

TECHNICAL DATA

POWER STANDARD

		SASSY SQUARE + MODEL 1	
POWER STANDARD	2700 K	250 mA 8 W 1325 lm	361EB 1 2
	3000 K	250 mA 8 W 1342 lm	361EB 1 3
	4000 K	250 mA 8 W 1405 lm	361EB 1 5
	D.WHITE	250 mA 10 W 880 - 3 lm	361EB 1 7
POWER MEDIUM	2700 K	350 mA 12 W 1774 lm	361EB 2 2
	3000 K	350 mA 12 W 1803 lm	361EB 2 3
	4000 K	350 mA 12 W 1888 lm	361EB 2 5
	D.WHITE	-	361EB 2 7
POWER HIGH	2700 K	500 mA 18 W 2407 lm	361EB 3 2
	3000 K	500 mA 18 W 2448 lm	361EB 3 3
	4000 K	500 mA 18 W 2563 lm	361EB 3 5
	D.WHITE	-	361EB 3 7



The data shown corresponds to raw values.
If the symbols use identical lettering, the desired color must be specified at a later stage.

SASSY ROUND + MODEL 1

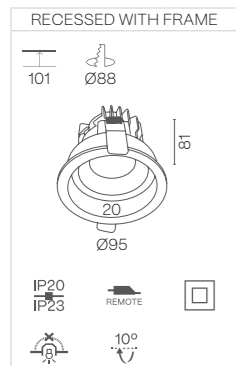
- | | | | | |
|--|--|---|---|---|
| <ul style="list-style-type: none"> BLACK BASE COLOR + FINISH RING B · Black + Black G · Black + White J · Black + Chrome J · Black + Grafite J · Black + Mat Silver | <ul style="list-style-type: none"> WHITE BASE COLOR + FINISH RING H · White + Black W · White + White I · White + Chrome I · White + Grafite I · White + Mat Silver | <ul style="list-style-type: none"> INSTALLATION 5 · Recessed with frame 6 · Trimless | <ul style="list-style-type: none"> DIMM OPTIONS O · On-Off D · Dali P · Push V · 1.10v F · Phase cut | <ul style="list-style-type: none"> BEAM ANGLE 1 · 8° 2 · 15° 4 · 26° 5 · 38° 7 · 60° |
|--|--|---|---|---|

ROY FAMILY



- ALUMINIUM PC
- CRI ≥ 90
- IK08
- LIFE 50000H
-
- DIM OPTIONAL
- INDOOR
- 220-240 V 50-60 HZ
- CE

Ø95

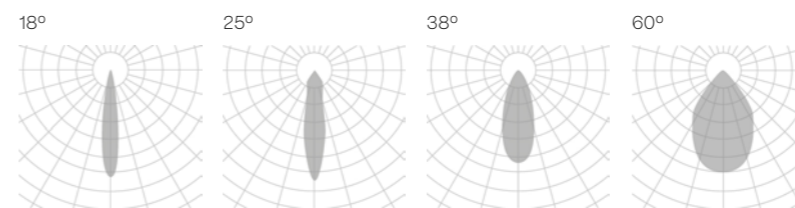


- Cut hole
- Minimum height of the false ceiling
- Luminaire not suitable to be covered with thermal insulating material

- ON DEMAND OPTIONS**
- Wireless control options

POWER STANDARD

		Ø95	
	300 mA	10 W 1496 - 1521 - 1592 lm	
18°	2700 K	359EB5 132	
	3000 K	359EB5 133	
	4000 K	359EB5 135	
25°	2700 K	359EB5 142	
	3000 K	359EB5 143	
	4000 K	359EB5 145	
38°	2700 K	359EB5 152	
	3000 K	359EB5 153	
	4000 K	359EB5 155	
60°	2700 K	359EB5 172	
	3000 K	359EB5 173	
	4000 K	359EB5 175	



The data shown corresponds to raw values.

- Down light
- FINISH**
B · Black
W · White
S · Special color
- DIMM OPTIONS**
O · On-Off
D · Dali
P · Push

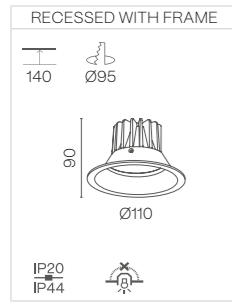
CAN REVIEW FAMILY



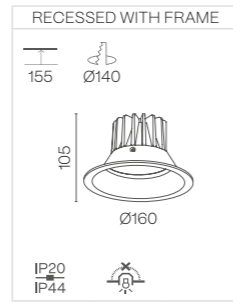
- ALUMINIUM PC
- CRI ≥90
- IK08
- LIFE 50000H
- DIM OPTIONAL
- REMOTE
- INDOOR
- 220-240 V 50-60 HZ
- CE

CAN REVIEW

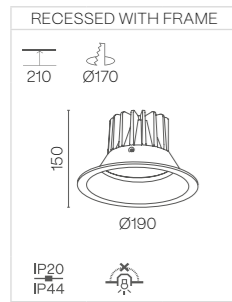
Ø110



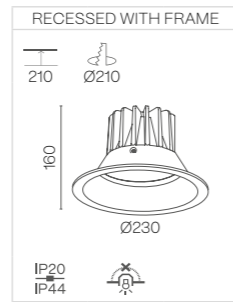
Ø160



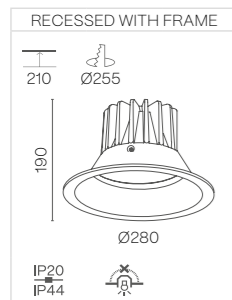
Ø190



Ø230



Ø280



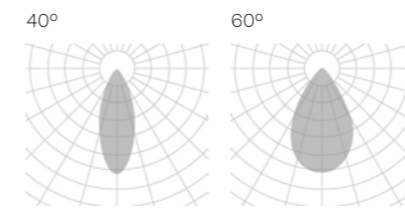
- Cut hole
- Minimum height of the false ceiling
- Luminaire not suitable to be covered with thermal insulating material

- ON DEMAND OPTIONS**
- Wireless control options

CAN REVIEW

POWER STANDARD

		Ø110	Ø160	Ø190	Ø230	Ø280
		500 mA 8,5 W 1063 - 1094 - 1134 lm	500 mA 17,4 W 2081 - 2176 - 2305 lm	750 mA 26 W 3202 - 3325 - 3491 lm	1000 mA 35 W 4199 - 4390 - 4644 lm	1200 mA 46 W 4979 - 5170 - 5424 lm
40°	2700 K	308EB5 152 ✖	308EE5 152 ✖	308EH5 152 ✖	308EJ5 152 ✖	308EL5 152 ✖
	3000 K	308EB5 153 ✖	308EE5 153 ✖	308EH5 153 ✖	308EJ5 153 ✖	308EL5 153 ✖
	4000 K	308EB5 155 ✖	308EE5 155 ✖	308EH5 155 ✖	308EJ5 155 ✖	308EL5 155 ✖
60°	2700 K	308EB5 172 ✖	308EE5 172 ✖	308EH5 172 ✖	308EJ5 172 ✖	308EL5 172 ✖
	3000 K	308EB5 173 ✖	308EE5 173 ✖	308EH5 173 ✖	308EJ5 173 ✖	308EL5 173 ✖
	4000 K	308EB5 175 ✖	308EE5 175 ✖	308EH5 175 ✖	308EJ5 175 ✖	308EL5 175 ✖

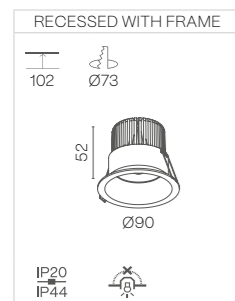


The data shown corresponds to raw values.

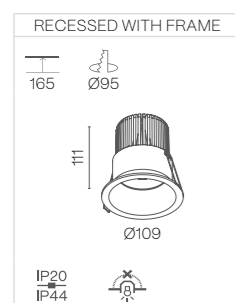
- INSTALLATION**
 - FINISH**
 - DIMM OPTIONS**
 - Down light
- 1 · Pendant
 - B · Black
 - O · On-Off
 - 2 · Pendant up light
 - W · White
 - D · Dali
 - 3 · Surface
 - S · Special color
 - P · Push
 - 4 · Recessed with frame
 - 5 · Trimless

CAN REVIEW IP65

Ø90



Ø109



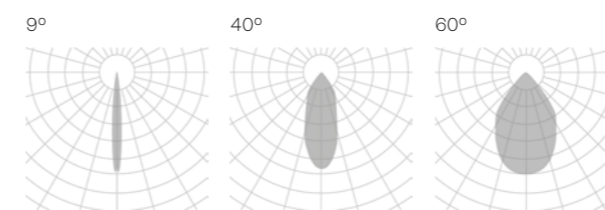
- Cut hole
- Minimum height of the false ceiling
- Luminaire not suitable to be covered with thermal insulating material

- ON DEMAND OPTIONS**
- Wireless control options

CAN REVIEW IP65

POWER STANDARD

		Ø90	Ø109
		500 mA 10 W 723 - 756 - 828 lm	500 mA 15 W 1084 - 1135 - 1244 lm
90°	2700 K	365EB5 142	365EE5 142
	3000 K	365EB5 143	365EE5 143
	4000 K	365EB5 145	365EE5 145
40°	2700 K	365EB5 152	365EE5 152
	3000 K	365EB5 153	365EE5 153
	4000 K	365EB5 155	365EE5 155
60°	2700 K	365EB5 172	365EE5 172
	3000 K	365EB5 173	365EE5 173
	4000 K	365EB5 175	365EE5 175



The data shown corresponds to raw values.

- INSTALLATION**
 - FINISH**
 - DIMM OPTIONS**
 - Down light
- 1 · Pendant
 - B · Black
 - O · On-Off
 - 2 · Pendant up light
 - W · White
 - D · Dali
 - 3 · Surface
 - S · Special color
 - P · Push
 - 4 · Recessed with frame
 - 5 · Trimless

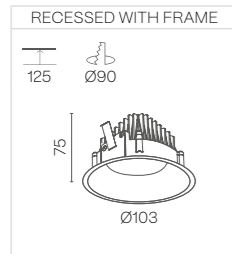
ALDAIA FAMILY



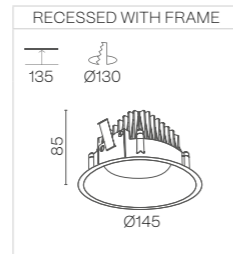
- ALUMINIUM PC
- CRI ≥90
- IK06
- IP20
IP44
- LIFE 50000H
- DIM OPTIONAL
- REMOTE
- INDOOR
- 220-240 V
50-60 HZ
- CE

ALDAIA

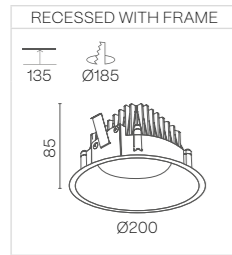
Ø103



Ø145



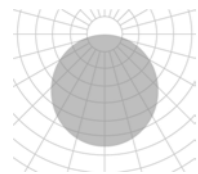
Ø200



POWER STANDARD

		Ø103	Ø145	Ø200
Opal		300 mA 11 W 1440 - 1560 - 1680 lm	500 mA 15 W 2000 - 2167 - 2333 lm	800 mA 34 W 4480 - 4853 - 5227 lm
	2700 K	300EB5 ■ 112 ✘	300EE5 ■ 112 ✘	300EH5 ■ 112 ✘
	3000 K	300EB5 ■ 113 ✘	300EE5 ■ 113 ✘	300EH5 ■ 113 ✘
	4000 K	300EB5 ■ 115 ✘	300EE5 ■ 115 ✘	300EH5 ■ 115 ✘

Opal



The data shown corresponds to raw values.

- Cut hole
- Minimum height of the false ceiling
- Luminaire not suitable to be covered with thermal insulating material
- Down light

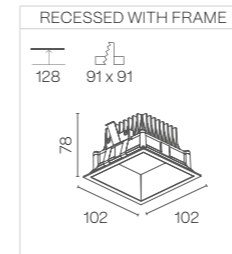
- ON DEMAND OPTIONS**
- Wireless control options

- FINISH**
- B** · Black
- W** · White
- S** · Special color

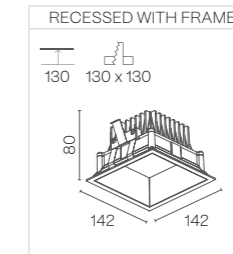
- DIMM OPTIONS**
- O** · On-Off
- D** · Dali
- P** · Push
- V** · 1.10v

ALDAIA SQ

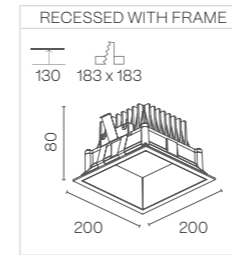
102x102



142x142



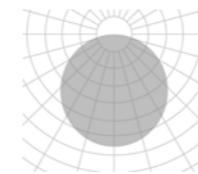
200x200



POWER STANDARD

		102 x 102	142 x 142	200 x 200
Opal		300 mA 11 W 1440 - 1560 - 1680 lm	500 mA 15 W 2000 - 2167 - 2333 lm	800 mA 34 W 4480 - 4853 - 5227 lm
	2700 K	301EB5 ■ 112 ✘	301EE5 ■ 112 ✘	301EH5 ■ 112 ✘
	3000 K	301EB5 ■ 113 ✘	301EE5 ■ 113 ✘	301EH5 ■ 113 ✘
	4000 K	301EB5 ■ 115 ✘	301EE5 ■ 115 ✘	301EH5 ■ 115 ✘

Opal



The data shown corresponds to raw values.

- Cut hole
- Minimum height of the false ceiling
- Luminaire not suitable to be covered with thermal insulating material
- Down light

- ON DEMAND OPTIONS**
- Wireless control options

- FINISH**
- B** · Black
- W** · White
- S** · Special color

- DIMM OPTIONS**
- O** · On-Off
- D** · Dali
- P** · Push
- V** · 1.10v

VADI FAMILY



ALUMINIUM
PC

CRI
≥90

IK06

LIFE
50000H



DIM
OPTIONAL

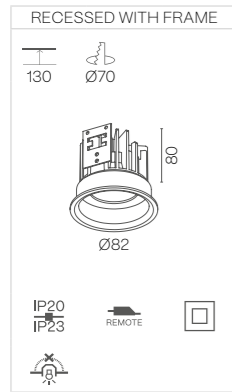
INDOOR

220-240 V
50-60 Hz

CE

VADI

Ø82



Ø124



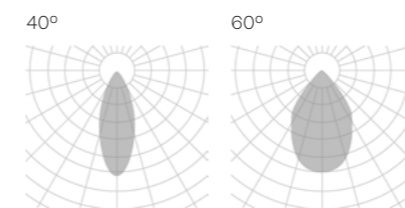
- Cut hole
- Minimum height of the false ceiling
- Luminaire not suitable to be covered with thermal insulating material

- ON DEMAND OPTIONS**
- Wireless control options

VADI

POWER STANDARD

		Ø82	Ø124
		300 mA 10 W 1496 - 1521 - 1592 lm	500 mA 6 W 2798 - 2846 - 2970 lm
40°	2700 K	366EB5W152	366EE5W152
	3000 K	366EB5W153	366EE5W153
	4000 K	366EB5W155	366EE5W155
60°	2700 K	366EB5W172	366EE5W172
	3000 K	366EB5W173	366EE5W173
	4000 K	366EB5W175	366EE5W175

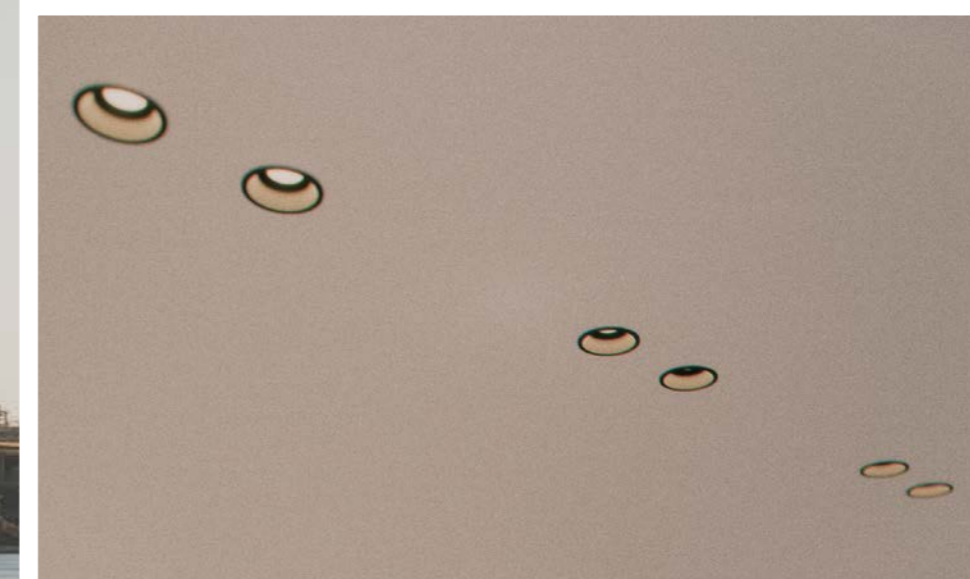


The data shown corresponds to raw values.
This product is only available in a white finish.

- DIMM OPTIONS**
- On-Off
 - Dali
 - Push

- Down light

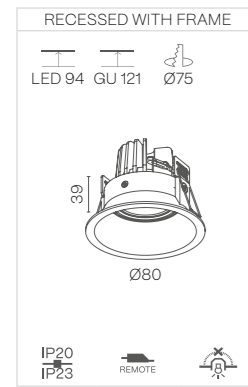
KONI FAMILY



- ALUMINIUM PC
- CRI ≥90
- IK06
- LIFE 50000H
- DIM OPTIONAL
- REMOTE
- INDOOR
- 220-240 V 50-60 HZ
- CE

KONI

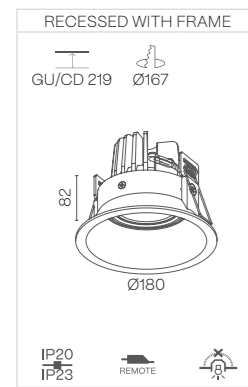
Ø80



Ø98



Ø180



- Cut hole
- Minimum height of the false ceiling
- Luminaire not suitable to be covered with thermal insulating material

- ON DEMAND OPTIONS**
- Wireless control options
 - Wall washer lens 15° beam angle

KONI

POWER STANDARD

		Ø80	Ø98
		250 mA 8 W 1358 - 1380 - 1445 lm	250 mA 8 W 1358 - 1380 - 1445 lm
40°	2700 K	388EB5 152	388EE5 152
	3000 K	388EB5 153	388EE5 153
	4000 K	388EB5 155	388EE5 155
60°	2700 K	388EB5 172	388EE5 172
	3000 K	388EB5 173	388EE5 173
	4000 K	388EB5 175	388EE5 175

POWER GU5.3

		Ø80	Ø98
		Max. 8 W LED	Max. 8 W LED
-		388EB5 400X	388EE5 400X

POWER G53

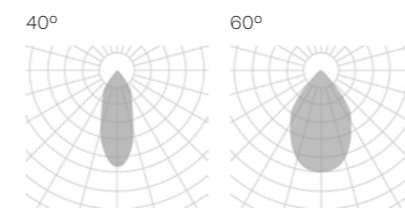
		Ø180
		Max. 20 W LED
-		388EH5 400X

POWER GU10

		Ø80	Ø98	Ø180
		Max. 8 W LED	Max. 8 W LED	Max. 8 W LED
.GU		388EB5 500X	388EE5 500X	388EH5 500X

POWER CDMR

		Ø180
		Max. 20 W LED
.CD		388EH5 700X



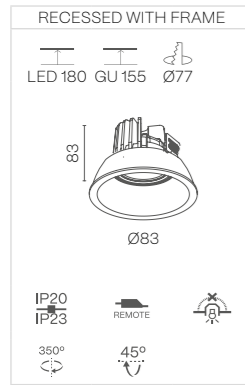
The data shown corresponds to raw values.

Down light

- FINISH**
- B** · Black
 - W** · White
 - A** · Striped aluminum
 - S** · Special color
- DIMM OPTIONS**
- D** · Dali
 - P** · Push
 - V** · 1.10v

KONI DEEP

Ø83

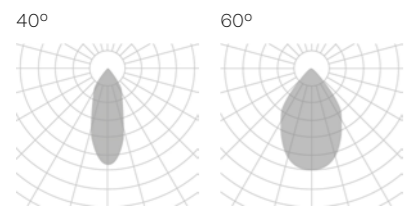


POWER STANDARD

		Ø83	
		250 mA 8 W 1358 - 1380 - 1445 lm	
40°	2700 K	389EB5 152	
	3000 K	389EB5 153	
	4000 K	389EB5 155	
60°	2700 K	389EB5 172	
	3000 K	389EB5 173	
	4000 K	389EB5 175	

POWER GU10

		Ø83	
		Max. 8 W LED	
	.GU	389EB5 500X	



The data shown corresponds to raw values.

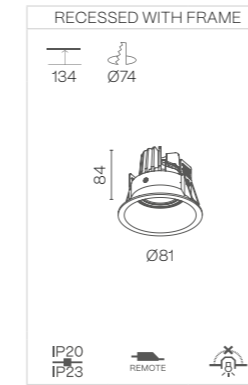
- Cut hole
- Minimum height of the false ceiling
- Luminaire not suitable to be covered with thermal insulating material
- Down light

- ON DEMAND OPTIONS**
- Wireless control options
- Wall washer lens 15° beam angle

- FINISH**
- B** · Black
- W** · White
- S** · Special color
- DIMM OPTIONS**
- D** · Dali
- P** · Push
- V** · 1.10v

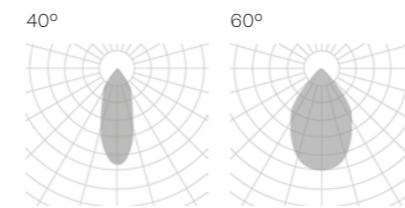
KONI TURTA

Ø81



POWER STANDARD

		Ø83	Ø100
		250 mA 7 W 855 - 900 - 957 lm	250 mA 7 W 855 - 900 - 957 lm
40°	2700 K	390EB5 152	390EE5 152
	3000 K	390EB5 153	390EE5 153
	4000 K	390EB5 155	390EE5 155
60°	2700 K	390EB5 172	390EE5 172
	3000 K	390EB5 173	390EE5 173
	4000 K	390EB5 175	390EE5 175



The data shown corresponds to raw values.

- Cut hole
- Minimum height of the false ceiling
- Luminaire not suitable to be covered with thermal insulating material
- Down light

- ON DEMAND OPTIONS**
- Wireless control options

- FINISH**
- B** · Black
- W** · White
- S** · Special color
- DIMM OPTIONS**
- D** · Dali
- P** · Push
- V** · 1.10v

CATLI FAMILY



ALUMINIUM
PC

CRI
≥90

IK06

LIFE
50000H

DIM
OPTIONAL

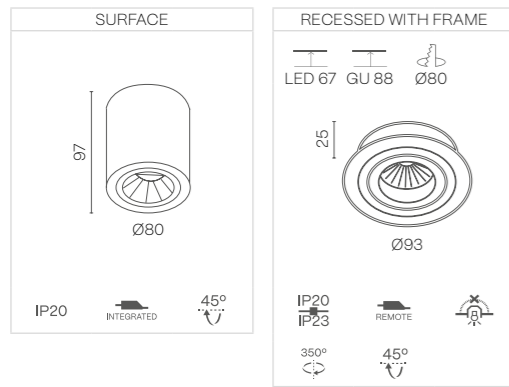


220-240 V
50-60 Hz

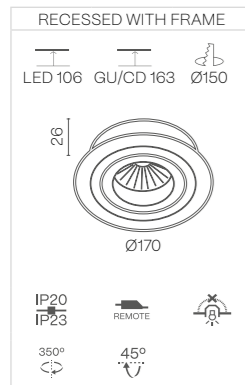


CATLI

Ø80 / Ø93



Ø170



- Cut hole
- Minimum height of the false ceiling
- Luminaire not suitable to be covered with thermal insulating material

- ON DEMAND OPTIONS**
- Wireless control options
 - Wall washer lens 15° beam angle

CATLI

POWER STANDARD

		Ø80 / Ø93	Ø170
		250 mA 8 W 1358 - 1380 - 1445 lm	350 mA 18 W 2720 - 2767 - 2887 lm
	40°	2700 K 381EB 152	381EE5 152
		3000 K 381EB 153	381EE5 153
		4000 K 381EB 155	381EE5 155
	60°	2700 K 381EB 172	381EE5 172
		3000 K 381EB 173	381EE5 173
		4000 K 381EB 175	381EE5 175

POWER HIGH

		Ø80 / Ø93
		350 mA 12 W 1784 - 1820 - 1866 lm
	40°	2700 K 381EB 352
		3000 K 381EB 353
		4000 K 381EB 355
	60°	2700 K 381EB 372
		3000 K 381EB 373
		4000 K 381EB 375

POWER GU10

		Ø80 / Ø93	Ø170
		Max. 8 W LED	Max. 20 W LED
	.GU	381EB 500X	381EE5 500X

POWER GU5.3

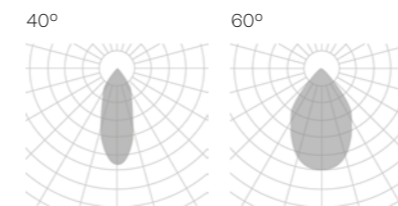
		Ø80 / Ø93
		Max. 8 W LED
	-	381EB 400X

POWER G53

		Ø170
		Max. 20 W LED
	-	381EE5 400X

POWER CDMR

		Ø170
		Max. 20 W LED
	.CD	381EE5 700X

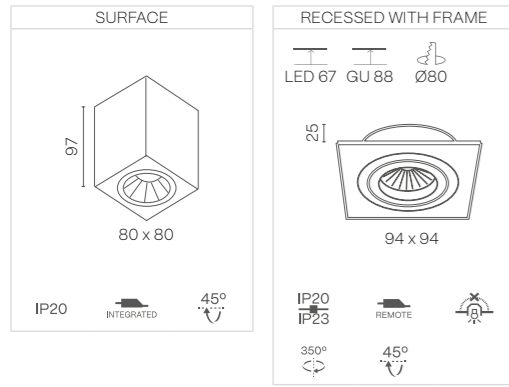


The data shown corresponds to raw values.

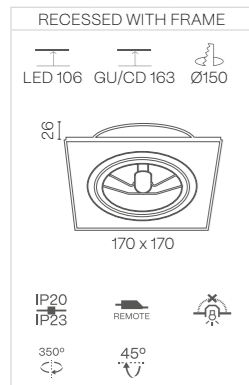
- INSTALLATION**
 - FINISH**
 - DIMM OPTIONS**
 - Down light
- 3 · Surface
 - B · Black
 - D · Dali
 - 5 · Recessed with frame
 - W · White
 - P · Push
 - A · Striped aluminum
 - V · 1.10v

CATLI SQ

80 x 80 / 94 x 94



170 x 170



- Cut hole
- Minimum height of the false ceiling
- Luminaire not suitable to be covered with thermal insulating material

- ON DEMAND OPTIONS**
- Wireless control options
 - Wall washer lens 15° beam angle

CATLI SQ

POWER STANDARD

		80 x 80 / 94 x 94	170 x 170
		250 mA 8 W 1358 - 1380 - 1445 lm	350 mA 18 W 2720 - 2767 - 2887 lm
40°	2700 K	385EB 152	385EE5 152
	3000 K	385EB 153	385EE5 153
	4000 K	385EB 155	385EE5 155
60°	2700 K	385EB 172	385EE5 172
	3000 K	385EB 173	385EE5 173
	4000 K	385EB 175	385EE5 175

POWER HIGH

		94 x 94
		350 mA 12 W 1784 - 1820 - 1866 lm
40°	2700 K	385EB5 352
	3000 K	385EB5 353
	4000 K	385EB5 355
60°	2700 K	385EB5 372
	3000 K	385EB5 373
	4000 K	385EB5 375

POWER GU10

		80 x 80 / 94 x 94	170 x 170
		Max. 8 W LED	Max. 20 W LED
.GU		385EB 500X	385EE5 500X

POWER GU5.3

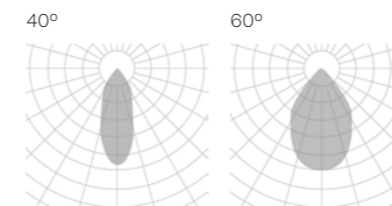
		80 x 80 / 94 x 94
		Max. 8 W LED
-		385EB 400X

POWER G53

		170 x 170
		Max. 20 W LED
-		385EE5 400X

POWER CDMR

		170 x 170
		Max. 20 W LED
.CD		385EE5 700X

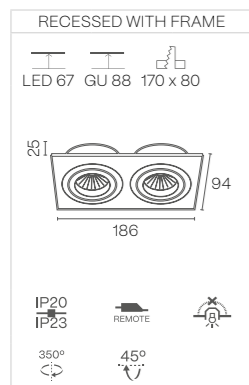


The data shown corresponds to raw values.

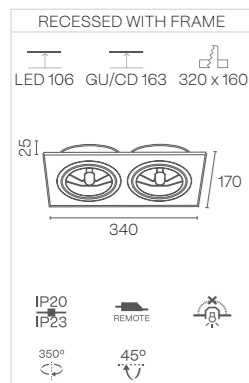
- INSTALLATION**
 - 1 · Pendant
 - 2 · Pendant up light
 - 3 · Surface
 - 4 · Recessed with frame
 - 5 · Trimless
- FINISH**
 - B · Black
 - W · White
 - A · Striped aluminum
- DIMM OPTIONS**
 - D · Dali
 - P · Push
 - V · 1.10v
- Down light

CATLI SQ DOUBLE

186 x 94



340 x 170



- Cut hole
- Minimum height of the false ceiling
- Luminaire not suitable to be covered with thermal insulating material

- ON DEMAND OPTIONS**
- Wireless control options
 - Wall washer lens 15° beam angle

CATLI SQ DOUBLE

POWER STANDARD

		186 x 94	340 x 170
		250 mA 8 W 1358 - 1380 - 1445 lm	350 mA 18 W 2720 - 2767 - 2887 lm
40°	2700 K	386EB5 152	386EE5 152
	3000 K	386EB5 153	386EE5 153
	4000 K	386EB5 155	386EE5 155
60°	2700 K	386EB5 172	386EE5 172
	3000 K	386EB5 173	386EE5 173
	4000 K	386EB5 175	386EE5 175

POWER HIGH

		186 x 94
		350 mA 12 W 1784 - 1820 - 1866 lm
40°	2700 K	386EB5 352
	3000 K	386EB5 353
	4000 K	386EB5 355
60°	2700 K	386EB5 372
	3000 K	386EB5 373
	4000 K	386EB5 375

POWER GU10

		186 x 94	340 x 170
		Max. 2 x 8 W LED	Max. 2 x 20 W LED
.GU		386EB5 500X	386EE5 500X

POWER GU5.3

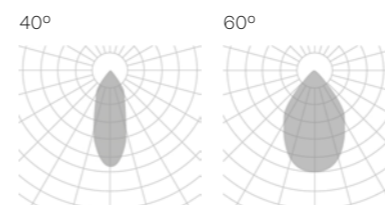
		186 x 94
		Max. 2 x 8 W LED
-		386EB5 400X

POWER G53

		340 x 170
		Max. 2 x 20 W LED
-		386EE5 400X

POWER CDMR

		340 x 170
		Max. 2 x 20 W LED
.CD		386EE5 700X



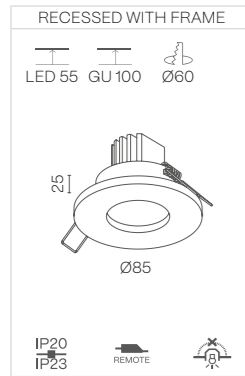
The data shown corresponds to raw values.

Down light

- FINISH**
- B** · Black
 - W** · White
 - A** · Striped aluminum
- DIMM OPTIONS**
- D** · Dali
 - P** · Push
 - V** · 1.10v

CATLI CLASSIC

Ø85



POWER STANDARD

		Ø85	
		BPM50	
		250 mA 8 W 1358 - 1380 - 1445 lm	
40°	2700 K	382EB5	152
	3000 K	382EB5	153
	4000 K	382EB5	155
60°	2700 K	382EB5	172
	3000 K	382EB5	173
	4000 K	382EB5	175

POWER HIGH

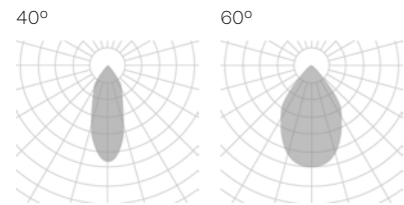
		Ø85	
		BPM300	
		350 mA 12 W 1784 - 1820 - 1866 lm	
40°	2700 K	382EB5	352
	3000 K	382EB5	353
	4000 K	382EB5	355
60°	2700 K	382EB5	372
	3000 K	382EB5	373
	4000 K	382EB5	375

POWER GU10

		Ø85	
		GU10	
		Max. 2 x 8 W LED	
	.GU	382EB5	500X

POWER GU5.3

		Ø85	
		GU5.3	
		Max. 2 x 8 W LED	
	-	382EB5	400X



The data shown corresponds to raw values.

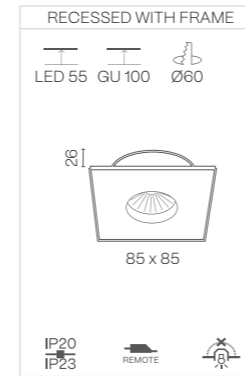
- Cut hole
- Minimum height of the false ceiling
- Luminaire not suitable to be covered with thermal insulating material
- Down light

- ON DEMAND OPTIONS**
- Wireless control options
- Wall washer lens 15° beam angle

- FINISH**
- B** · Black
- W** · White
- A** · Striped aluminum
- DIMM OPTIONS**
- D** · Dali
- P** · Push
- V** · 1.10v

CATLI CLASSIC SQ

85 x 85



POWER STANDARD

		85 x 85	
		BPM50	
		250 mA 8 W 1358 - 1380 - 1445 lm	
40°	2700 K	383EB5	152
	3000 K	383EB5	153
	4000 K	383EB5	155
60°	2700 K	383EB5	172
	3000 K	383EB5	173
	4000 K	383EB5	175

POWER HIGH

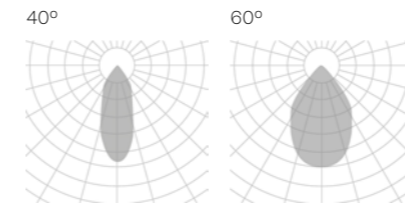
		85 x 85	
		BPM300	
		350 mA 12 W 1784 - 1820 - 1866 lm	
40°	2700 K	383EB5	352
	3000 K	383EB5	353
	4000 K	383EB5	355
60°	2700 K	383EB5	372
	3000 K	383EB5	373
	4000 K	383EB5	375

POWER GU10

		85 x 85	
		GU10	
		Max. 2 x 8 W LED	
	.GU	383EB5	500X

POWER GU5.3

		85 x 85	
		GU5.3	
		Max. 2 x 8 W LED	
	-	386EB5	400X



The data shown corresponds to raw values.

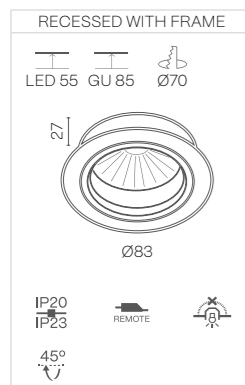
- Cut hole
- Minimum height of the false ceiling
- Luminaire not suitable to be covered with thermal insulating material
- Down light

- ON DEMAND OPTIONS**
- Wireless control options
- Wall washer lens 15° beam angle




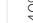









- FINISH**
- B** · Black
- W** · White
- A** · Striped aluminum
- DIMM OPTIONS**
- D** · Dali
- P** · Push
- V** · 1.10v

CATLI HALKA


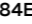





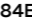

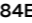

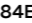

Ø83





POWER STANDARD

		Ø83
		 BPM50
		250 mA 8 W 1358 - 1380 - 1445 lm
40°	2700 K	384EB5  152 
	3000 K	384EB5  153 
	4000 K	384EB5  155 
60°	2700 K	384EB5  172 
	3000 K	384EB5  173 
	4000 K	384EB5  175 


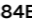
POWER HIGH

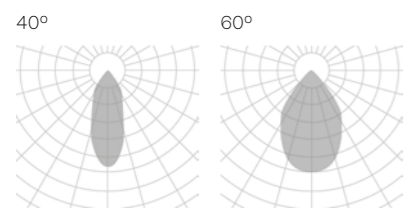
		Ø83
		 BPM300
		350 mA 12 W 1784 - 1820 - 1866 lm
40°	2700 K	384EB5  352 
	3000 K	384EB5  353 
	4000 K	384EB5  355 
60°	2700 K	384EB5  372 
	3000 K	384EB5  373 
	4000 K	384EB5  375 

POWER GU10

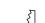

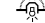

		Ø83
		 GU10
		Max. 8 W LED
.GU		384EB5  500X

POWER GU5.3

		Ø83
		 GU5.3
		Max. 8 W LED
-		384EB5  400X



The data shown corresponds to raw values.

-  Cut hole
-  Minimum height of the false ceiling
-  Luminaire not suitable to be covered with thermal insulating material
-  Down light

-  **ON DEMAND OPTIONS**
-  Wireless control options
-  Wall washer lens 15° beam angle

-  **FINISH**
- B** · Black
- W** · White
- A** · Striped aluminum
-  **DIMM OPTIONS**
- D** · Dali
- P** · Push
- V** · 1.10v

